



Air for life

Installation regulations

Flair 225
English



Installation regulations

Heat recovery appliance:

Flair 225



Store near the appliance

This appliance may be used by children as of 8 years of age, persons with reduced physical or mental capacities, and persons with limited knowledge and experience if they are supervised or have received instructions on how to use the appliance safely and are aware of the possible dangers.

Children younger than 3 years of age must be kept away from the appliance, unless they are under constant supervision.

Children between the ages of 3 and 8 may switch the appliance on or off, but only if supervised or if they have received clear instructions on the safe use of the appliance and understand the possible dangers, on the condition that the appliance has been placed and installed in the normal position for use. Children between the ages of 3 and 8 may not insert the plug into the socket, nor clean or make changes to the settings of the appliance, nor carry out any maintenance on the appliance that would normally be carried out by the user. Children may not play with the appliance.

If you need a new power cable, always order the replacement from Brink Climate Systems B.V. To prevent dangerous situations, a damaged mains connection must only be replaced by a qualified expert!

Country: GB

Contents

1 Delivery.	5	11.1.4 Connecting extra multiple-position switch with filter indication.	40
1.1 Delivery size.	5	11.1.5 Connection wireless controllers & sensors.	41
2 General.	6	11.2 Connecting Air Control.	42
3 Version.	7	11.3 Connecting humidity sensor.	43
3.1 Technical information.	7	11.4 Connecting CO ₂ sensor(s).	44
3.2 Connections and dimensions.	8	11.5 Demand-controlled ventilation 2.0.	45
3.3 Exploded view of appliance.	10	11.6 Connecting postheater.	46
4 Operation.	11	11.7 Connecting preheater.	47
4.1 Description.	11	11.8 Connecting Geo-heat exchanger.	48
4.2 Bypass.	11	12 Service.	49
4.3 Frost protection.	12	12.1 Exploded view.	49
4.4 Plus version.	12	12.2 Service articles.	50
5 Installation.	13	13 Setting values.	52
5.1 Installation general.	13	13.1 Setting values standard appliance.	52
5.2 Placing the appliance.	13	13.2 Setting values appliance with (Plus) pcb.	55
5.3 Connecting the condensate discharge.	14	14 Conformity declaration.	57
5.4 Connecting air ducts.	15	15 ERP values	58
5.5 Electrical connections.	16	16 Recycling.	60
5.5.1 Connecting the power plug.	16		
5.5.2 Connecting the multiple-position switch.	16		
5.5.3 Connecting an eBus accessory.	17		
5.5.4 24 volt connection.	17		
5.5.5 Connecting humidity sensor.	17		
5.5.6 Connection Internal Bus	17		
5.5.7 Connecting "signal output" connector.	17		
5.5.8 ModBus connection.	17		
5.5.9 Coupling appliances using Internal Bus.	17		
6 Display.	19		
6.1 General explanation of control panel.	19		
6.2 Display layout.	20		
6.3 Display information.	23		
7 Starting appliance.	24		
7.1 Switching appliance on and off.	24		
7.2 Setting the air flow.	24		
7.3 Other settings for installer.	25		
7.4 Factory settings.	25		
8 Fault.	26		
8.1 Fault analysis.	26		
8.2 Display Codes.	26		
9 Maintenance.	29		
9.1 Cleaning filters.	29		
9.2 Maintenance siphon.	30		
9.3 Maintenance installer.	31		
10 Electrical diagram.	34		
11 Electrical connections accessories.	36		
11.1 Connecting multiple-position switch.	36		
11.1.1 Connecting multiple-position switch with filter indication.	37		
11.1.2 Connecting wireless remote control (without filter indication).	38		
11.1.3 Connecting extra multiple-position switch with filter indication.	39		

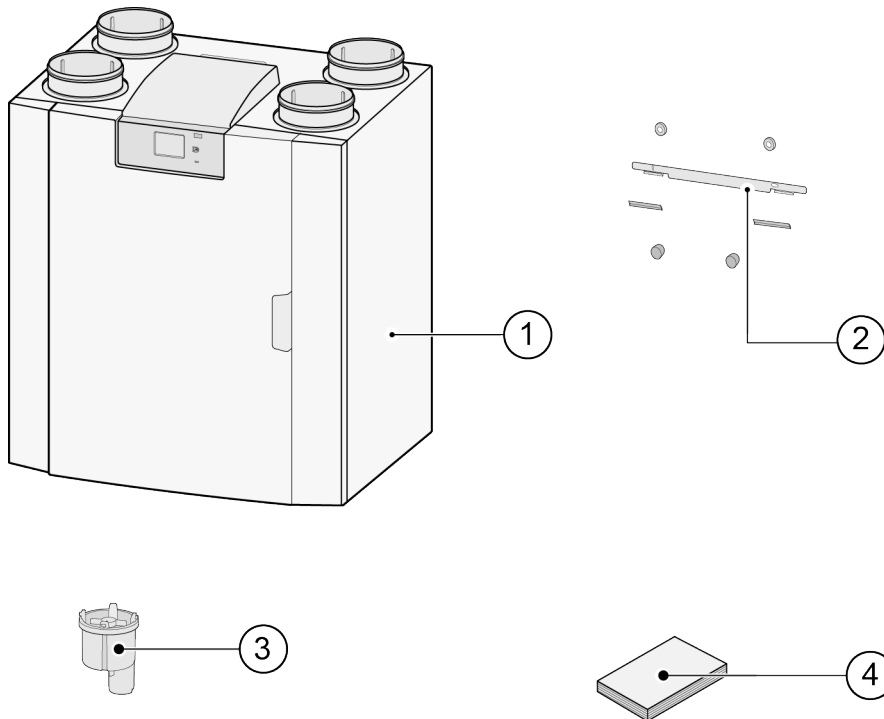
1 Delivery

1.1 Delivery size

Before installation of the heat recovery appliance is started, check that it has been supplied in complete and undamaged condition.

The delivery size of the heat recovery appliance type Flair 225 consists of the following components:

1. Heat recovery appliance
2. Wall mounting bracket consisting of:
 - 1x mounting bracket
 - 2x protective caps
 - 2x rubber strip
 - 2x rubber rings
3. Siphon
4. Documentation set consisting of:
 - 1x installation instructions
 - 1x occupant's instructions



2 General

The Flair 225 is a ventilation unit with heat recovery for the balanced ventilation of dwellings.

Features:

- Maximum capacity 225 m³/h
- High efficiency heat exchanger
- Filters ISO Coarse 60%
- Modular electric preheater
- Automatic bypass valve
- Touchscreen
- Adjustable air quantity
- Filter indication on the appliance and the possibility of a filter indication on the multiple switch
- An intelligent frost protection
- Low sound level
- Constant flow control

The Flair 225 is only available in one type:

- **the "Flair 225"**

For the Flair 225 there is an optional Plus PCB available with more functions/ connection possibilities ([→](#) -> page 12).

These installation instructions describe both the standard Flair 225 and the Flair with (Plus) PCB.

The Flair 225 is available in **Left-hand** and **Right-hand** versions; it is not possible to convert the left and right-hand models into one another.

For the correct connection of ducts and dimensions ([→](#) -> page 8).

If you want to continue to ventilate in a balanced way at a temperature lower than -15°C, it is recommended to use an extra preheater.

When the appliance is placed in an area where very cold outside air is expected for a long time (<-25°C), an extra preheater ([→](#) -> page 47) must always be installed!

The appliance is supplied ready to plug in with a 230 V mains plug.

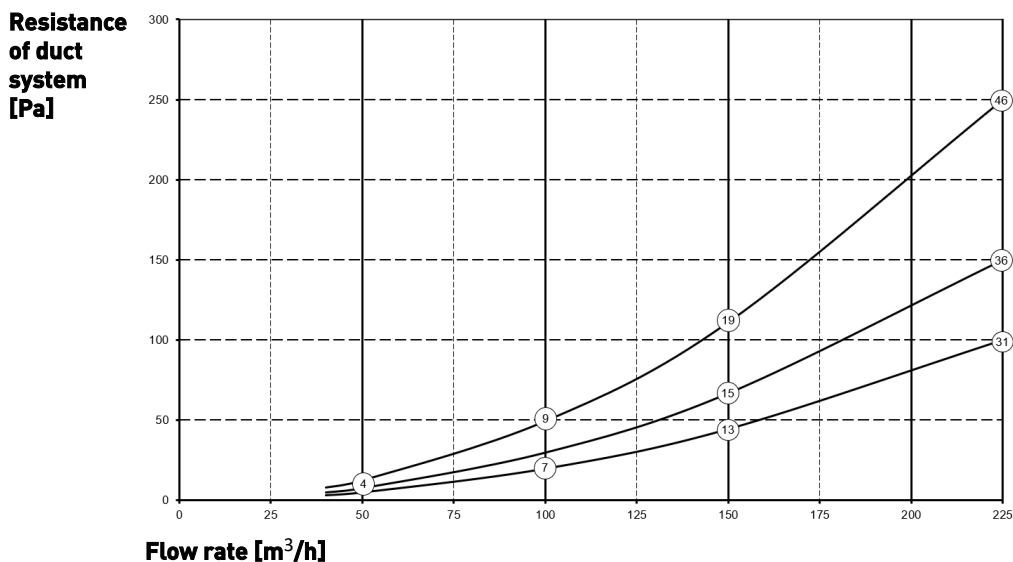
3 Version

3.1 Technical information

Flair 225											
Supply voltage [V/Hz]	230V/50Hz										
Dimensions (w x h x d) [mm]	600 x 650 x 455										
Duct diameter [mm]	ø125										
Ext. diameter condensate discharge [mm]	ø32										
Weight [kg]	29										
Filter class	ISO Coarse 60% (ISO ePM1.0 50% for the air supply optional)										
Fan setting (factory setting)	0	1		2		3		max			
Factory setting [m ³ /h]	40	50		100		150		225			
Permissible resistance of duct system [Pa]	3	8	5	12	20	49	44	111	100	250	
Rated power (excl. preheater) [W]	7.9	8.3	8	8.7	13.2	17.3	26.2	37.9	61.5	92.2	
Rated current (excl. preheater) [A]	0.10	0.11	0.10	0.10	0.13	0.16	0.22	0.32	0.48	0.70	
Max. rated current (incl. preheater on) [A]	3.8										
Rated power internal preheater [W]	750										
Cos φ	0.336	0.34	0.357	0.363	0.447	0.460	0.507	0.521	0.522	0.572	
Sound power											
Ventilation capacity [m ³ /h]				50	100	100	150	150	225	225	
Sound power level L _w (A)	Static pressure [Pa]			25	25	50	50	100	100	150	
	Casing radiation [dB(A)]			28	31	33.5	38.5	40.5	45.5	47	
	Duct 'From dwelling' [dB(A)]			<30	<34.5	<36.5	44	43	47.5	48.5	
	Duct 'To dwelling' [dB(A)]			43.5	48.5	50.5	55	57.5	62.5	64.5	

*) Duct noise including end correction

In practice the value may differ by 1dB(A) through measurement tolerances.



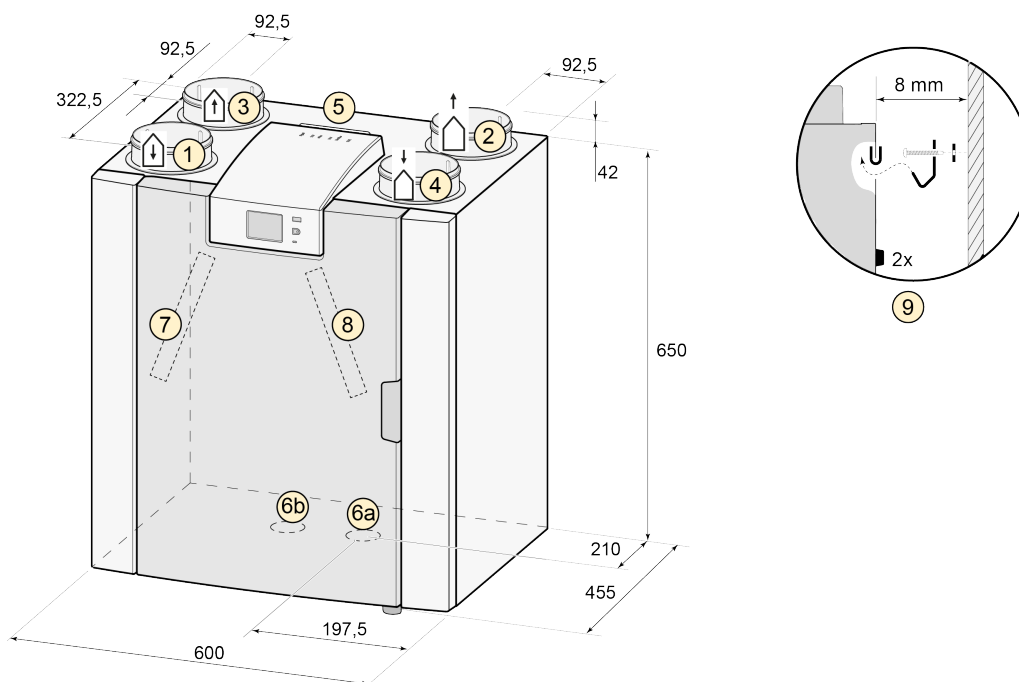
Note:

The stated value in the circle is the capacity (in Watt) per fan.

3.2 Connections and dimensions

The Flair appliance is available in a left-hand and right-hand version. With a left-hand version the “warm” connections (from dwelling 3 and to dwelling 1) are on the left-hand side of the appliance; the condensate discharge is then mounted at the right-hand opening below the appliance. With a right-hand version the “warm” connections (1 & 3) are on the right-hand side of the appliance.

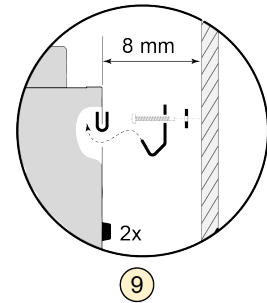
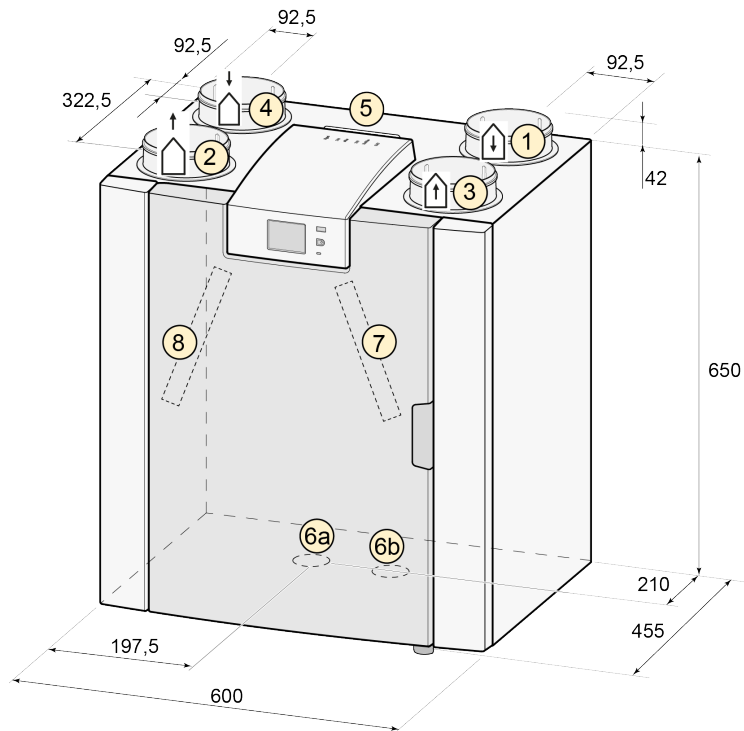
Left-hand version






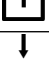
All dimensions in millimeters. Diameter of all collars is 125 mm

1	Supply air	
2	Exhaust air	
3	Extract	
4	Outdoor air	
5	Electrical connections	
6a	Siphon connection	
6b	Sealing cap unused condensate discharge connection; do not remove!	
7	Extract air filter	
8	Supply air filter	

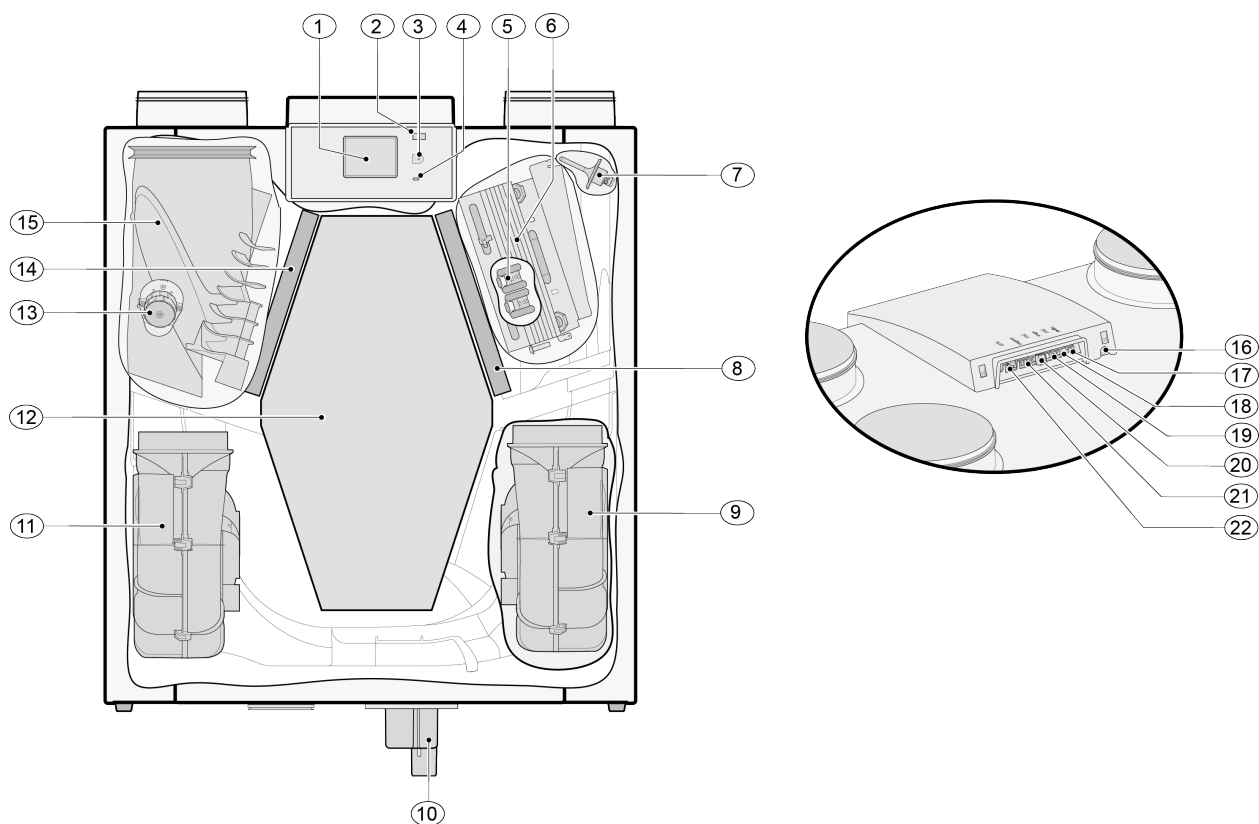
Right-hand version



All dimensions in millimeters. Diameter of all collars is 125 mm

1	Supply air	
2	Exhaust air	
3	Extract	
4	Outdoor air	
5	Electrical connections	
6a	Siphon connection	
6b	Sealing cap unused condensate discharge connection; do not remove!	
7	Extract air filter	
8	Supply air filter	

3.3 Exploded view of appliance



The appliance shown above is a left-hand version: in the case of a right-hand version, the connector of the preheater, bypass valve and the siphon connector are installed in mirror image!

1	Touchscreen	12	Heat exchanger
2	USB connector (X13)	13	Motor bypass valve
3	Service connector	14	Exhaust air filter
4	LED indicator	15	Bypass valve
5	Maximum protection preheater	16	Power cable 230 volt
6	Preheater	17	Relay output (X19)
7	Temperature sensor	18	24 volt connector (X18)
8	Supply filter	19	eBus connector (X17)
9	Exhaust fan	20	24 volt connector (X16)
10	Siphon / P-trap	21	Modbus/ Internalbus connector (X15)
11	Supply ventilator	22	Multiple switch connector (X14)

4 Operation

4.1 Description

The appliance is supplied ready to use and starts up automatically to standard settings when plugged in. The discharged dirty indoor air warms up the fresh clean outdoor air. That saves energy while fresh air is supplied to the desired rooms. The appliance has four ventilation levels. The air flow rate can be adjusted for each ventilation level. The constant volume control system ensures a balanced airflow between the supply and exhaust fan independent of the duct pressure. If no external control is connected to the appliance, then the appropriate ventilation level can be chosen on the touchscreen display.

There are several options for external control :

- 4-way switch (→ -> page 37),
- Brink Air Control (→ -> page 42)
- CO₂ sensor(s) (→ -> page 44)
- humidity sensor (→ -> page 43)
- Brink App.

4.2 Bypass

The 100% bypass function ensures that the extract air flows past instead of through the heat exchanger, so that cooler supply air is not heated. Particularly during summer nights it is desirable to supply cooler outside air. The bypass valve opens and closes automatically when a number of conditions are met (see table below for bypass conditions).

Follow step numbers 2.1 to 2.6 in the settings menu in the user interface, (→ -> page 52) in order to adjust the operation of the bypass valve.

Automatic bypass control strategy

Open	<ul style="list-style-type: none">▪ The outdoor temperature is higher than 10°C (adjustable between 7°C and 15°C at step no. 2.3) and▪ the outdoor temperature is lower than the indoor temperature of the dwelling and▪ the temperature from the dwelling is higher than 24°C (adjustable between 15°C and 35°C at step no. 2.2)
Closed	<ul style="list-style-type: none">▪ The outdoor temperature is lower than 10°C (adjustable between 7°C and 15°C at step no. 2.3) or▪ the outdoor temperature is higher than the indoor temperature of the dwelling or▪ the temperature from the dwelling is lower than the set temperature at step no. 2.2 in the settings menu minus the set temperature at the hysteresis (step no. 2.4).

The appliance features a 'Bypass boost' function. When activated (step 2.5), the appliance is set to the highest ventilation level as soon as the bypass opens. (adjustable at step no. 2.6).

4.3 Frost protection

To prevent freezing of the heat exchanger at low outdoor temperatures, the appliance features a frost control. Temperature sensors measure the temperatures inside the appliance, when required the preheater gets activated. The unit will also detect, very low outdoor temperatures at which the capacity of the preheater will be insufficient. At this stage an imbalance strategy will be activated where surplus warm extract air is used. The software 'recognizes' the appliance.

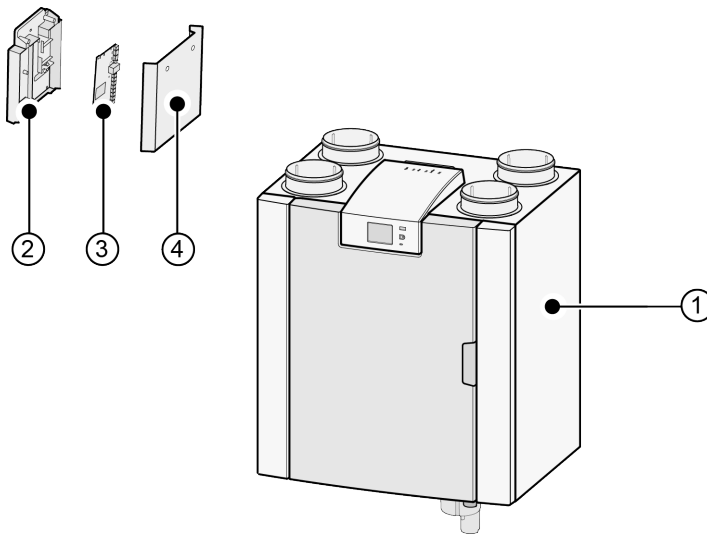
When operating a ventilation system and a room-air dependent fireplace at the same time, no pressure imbalance of the room air may occur. When operating a ventilation system with a fireplace, the responsible district chimney sweeper must always be consulted and the fireplace regulations of the individual countries must be observed. The system must always be approved by the responsible district chimney sweeper.

4.4 Plus version

All standard appliances can be modified into a Plus version using the Plus pcb upgrade set. The appliance equipped with this optional control board (Plus pcb) has more connections for various applications.

This extra control board is located in a plastic housing.

Mounting is possible, for example, against the wall in the installation room. An extra long connection cable is included with the Plus print extension set for this setup.



1 = Flair 225 appliance with mounted Basic pcb

2 = Plus pcb mounting plate

3 = Plus pcb

4 = Plus pcb protective cap

5 Installation

5.1 Installation general

Installing the appliance:

1. Placing the appliance (→ -> page 13)
2. Connecting the siphon and condensate discharge (→ -> page 14)
3. Connecting the air ducts (→ -> page 15)
4. Electrical connections (→ -> page 16)

The installation and installing should meet the following requirements:

- Quality requirements of ventilation systems in homes, ISSO 61.
- Quality requirements of balanced ventilation dwellings, ISSO 62
- The regulations for ventilation of dwellings and residential buildings.
- Safety provisions for low-voltage installations
- The regulations for connecting indoor plumbing in homes and residential buildings.
- Any additional regulations of the local utilities.
- The installation regulations for the Flair 225.
- In addition to the above design and installation requirements and recommendations, the national building and ventilation regulations must be respected.

5.2 Placing the appliance

The Flair 225 appliance can be mounted onto a wall with the supplied mounting bracket. For a vibration-free installation, the appliance must be mounted to a solid wall with a minimum mass of 170 kg/m². A gypsum- or drywall will not suffice! Additional measures such as double panelling or additional studs are required in that case. Alternatively, a mounting support for floor mounting (with the same minimal mass) is available.

In addition, the following aspects must be taken into account:

- The appliance must be installed in an insulated frost-free area (> 10 °C), in order to, for example, prevent freezing of the condensate discharge.
- The appliance must be placed level.
- The appliance must not be placed in a area with a high level of condensation (such as a bathroom).
- In order to prevent condensation on the outside of the appliance, the installation area must be ventilated.
- The installation area must be able to provide a condensate discharge with a sufficient water seal and drop for the condensed water.
- Newly built houses with a lot of moisture from the construction work need to be ventilated in a natural manner before putting the appliance into use.
- Make sure there is a free space of at least 70 cm at the front of the appliance and a free headroom of 1.8 m.
- Make sure there is a free space of at least 25 cm above the appliance, for connecting the appliance and any necessary servicing of the circuit board. The ambient temperature has to be between +10 °C and + 40 °C.

5.3 Connecting the condensate discharge

The condensate discharge line for the Flair 225 is located in the bottom panel. The condensate is discharged through the drainpipe. The siphon (with built-in air vent) is supplied separately with the appliance and must be fitted by the installer below the appliance (bayonet connection). The siphon has an external connection diameter of 32 mm. The siphon is connected to the inner sewer system. It is recommended to fit an odor trap between the sewer system and siphon in order to avoid unpleasant odors.



Important

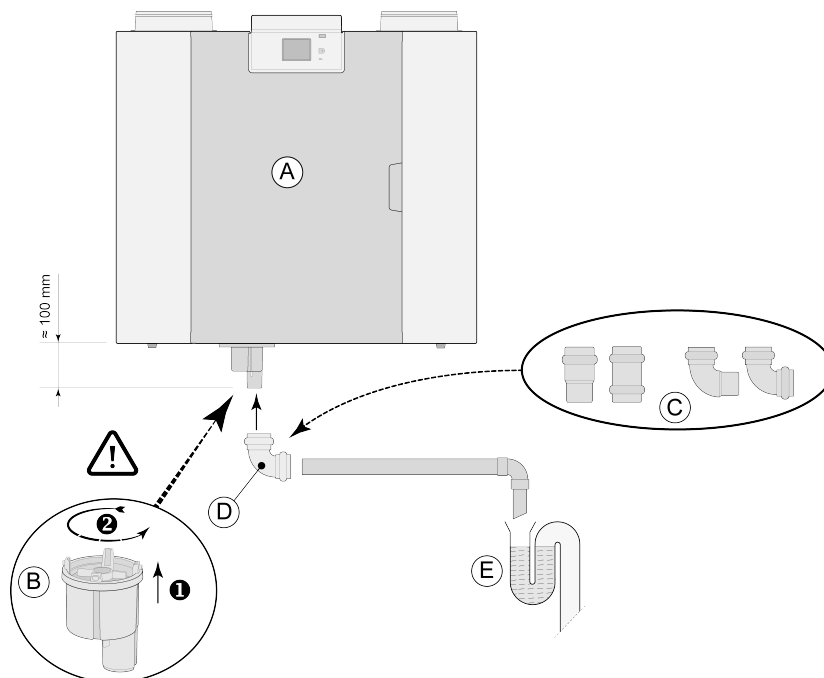
With the Flair 225 appliance as the left-hand version, the condensate discharge connection is located at the right side of the bottom panel and with the Flair 225 appliance as the right-hand version, the condensate discharge connection is located on the left of the bottom panel (→ -> page 8)

Never switch the two condensate discharge connections below the appliance!
Never remove the sealing cap from the unused condensate discharge connection!

It is recommended to use a 32 mm connection with gasket (HT DN32) (not supplied with the appliance) so that the siphon can be cleaned easily in the future.

Important: During assembly always apply a lubricant, such as acid-free vaseline, to the rubber sealing ring in the gasket. This gasket connection has to be disconnected when servicing the appliance! The siphon must not be glued to the condensate discharge line!

The condensate discharge can be connected, for example, with a straight or angled connection with gasket. Slide the condensate discharge connection with gasket with sufficient length across the connection of the siphon.



A = For example a Flair right-hand version

B = Fitting siphon below in Flair appliance

C = Examples with condensate discharge connections with gasket HT DN32

D = Detachable connection

E = Example of odor trap

5.4 Connecting air ducts

All air ducts must be installed airtight. The collars on the Flair appliance are provided as standard with sealing rings.

In order to prevent condensation on the outside of the outdoor air supply duct and the air exhaust duct from the Flair appliance, these ducts must be insulated externally in a vapour-tight way up to the appliance. If thermally insulated ducting is used here, additional insulation is not necessary.

To comply with the maximum installation level of 30 dB(A), each installation must be assessed separately to determine the required noise reduction measures. Silencers of at least 1 m in length are required to optimally attenuate fan noise, additional measures may be required as well.

Prevent crosstalk between the air supply and outdoor air ducts by using separate branches to the diffusers. If necessary, the supply ducts must be insulated, for instance when they are installed outside the insulated area.

The outdoor air supply should ideally be placed at the shadowed side of the dwelling, preferably from the wall or an overhang.

The exhaust duct must be fed through the roof boarding in such a way that no condensation is able to form on the roof boarding.

The exhaust duct between the Flair appliance and the roof terminal should be chosen in such a way surface condensation is prevented.

Use an insulated ventilation roof terminal that prevents (drifting) snow from being sucked in. Under no circumstances should you use a roof terminal that opens directly above the roof tiles.

In order to reduce noise levels, it is recommended to restrict the external duct pressure to 100 Pa. If the resistance of the duct system is higher than the maximum curve of the fan, the maximum fan capacity will be lower.

The air speeds in all ducts must be limited to the following maximum values:

Type of ducts	Maximum Air Speed [m/s]
Collective duct	5
Main duct	4
Duct branch: supply	3
Duct branch: outlet	3,5

The location of the exhaust air outlet and the sewer stack vent must be chosen to prevent noise nuisance.

The location of the air supply valves must be chosen in such a way to prevent fouling and drafts. We recommend using Brink supply valves.

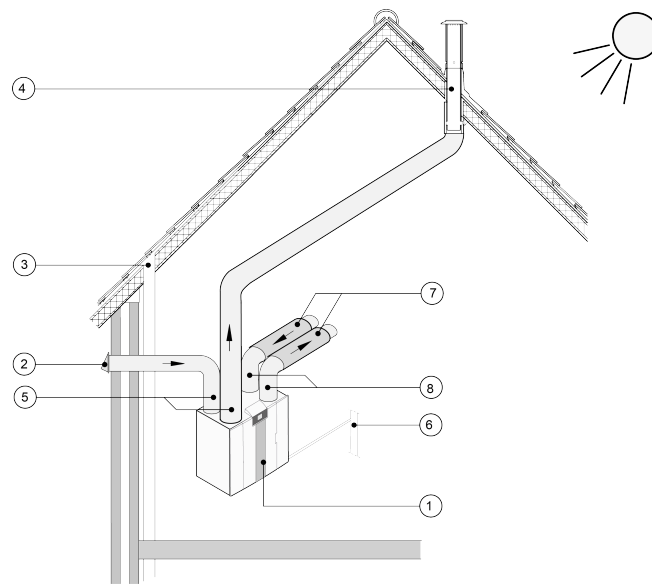
When using flexible silencers, account must be taken during the installation that these may need to be replaced after a period of time.

Ensure sufficient overflow openings. For example a gap of 2 cm underneath the doors.



Important!

When installing and maintaining the unit (see → -> page 31), check that no dust or dirt has accumulated on the preheater! Clean the preheater well during maintenance.

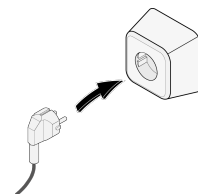


- 1 = Flair 225 right-hand version (place level)
- 2 = Preferred location outdoor air inlet
- 3 = Sewer vent
- 4 = Preferred location Exhaust air outlet; Use Brink insulated ventilation roof terminal
- 5 = Thermally insulated ducts
- 6 = Condensate discharge
- 7 = Silencers
- 8 = Supply air and extract air ducts

5.5 Electrical connections

5.5.1 Connecting the power plug

Connect the appliance's power plug to an easily accessible earthed wall socket. The electric installation must comply with the requirements of your power company.



5.5.2 Connecting the multiple-position switch

The multiple position switch (not supplied with the appliance) is connected to the modular connector type RJ12 (connector X14) which is located on the rear of the display cap of the appliance. For connection examples of multiple position switch (→ -> page 37). A wireless remote control (→ -> page 41) and a combination of multiple position switches is also possible (→ -> page 39).

The 4-way switch can also be used to activate a 30-minutes boost mode by putting the switch to setting 3 for less than 2 seconds and directly turning it back to setting 1 or 2. The boost mode can be reset by putting the switch to setting 3 for longer than 2 seconds or by switching it to absence mode (S).

5.5.3 Connecting an eBus accessory

For connecting an eBus accessory, use the 2-pole detachable (green) connector X17 located at the rear of the display cover. The eBus protocol can be used to connect the Brink Air Control (→ -> page 42). This connector is polarity sensitive. The connection will not work if the wires are connected to the wrong screw terminals! The optional CO₂ sensor(s) or an extra eBus preheater (→ -> page 47) or postheater (→ -> page 46) can also be connected onto this eBus connector.

5.5.4 24 volt connection

The appliance features two, (black) 24 volt outputs (X16 & X18) which can be used to power accessories. Connector X-16 is for 24 volt connection of the optional (Plus) pcb. The maximum power is 5 VA per output.

5.5.5 Connecting humidity sensor

The optional humidity sensor has to be connected to the the X07 connection of the basic pcb. Use the cable supplied with the humidity sensor. In order to connect the humidity sensor, the cover above the control has to be removed, the X07 connection is accessible.

For connecting the humidity sensor, see → -> page 34 .

5.5.6 Connection Internal Bus

The Modbus/ Internal bus (red) connector X15 can for example be used for coupling appliances (→ -> page 17). The function of this connector can be adjusted using step number 14.1 to 14.4 in the settings menu. If the appliance is fitted with a (Plus) pcb, then this red connector X15 is also in use for connecting the (Plus) pcb; several cables then have to be connected onto this connector X15.

5.5.7 Connecting "signal output" connector

The blue 2-pole screw connector X19 is used to give a filter message or fault message.

If a filter or fault message is given in the appliance, a contact is closed at connection X19. The operation of this is set by following step number 16.1.

5.5.8 ModBus connection

The appliance can be connected with a ModBus system such as a building management system. Using the (red) 3-pin connector X15 (or with the (Plus) version the red connector X06 on the UWA2-E pcb) a connection can be made between the appliance and the ModBus system; (→ -> page 34) for correct connections.

For the correct setting of the jumpers X12, X121 & X122 see explanation in electrical diagram (→ -> page 34); for more information and the correct modBus settings, please consult the Modbus manual on the Brink website.

Note: If the ModBus option is connected and active, the ventilation setting cannot be changed through the display or, if applicable, the connected multiple position switch. Also any connected humidity sensor(s) will not work.

5.5.9 Coupling appliances using Internal Bus

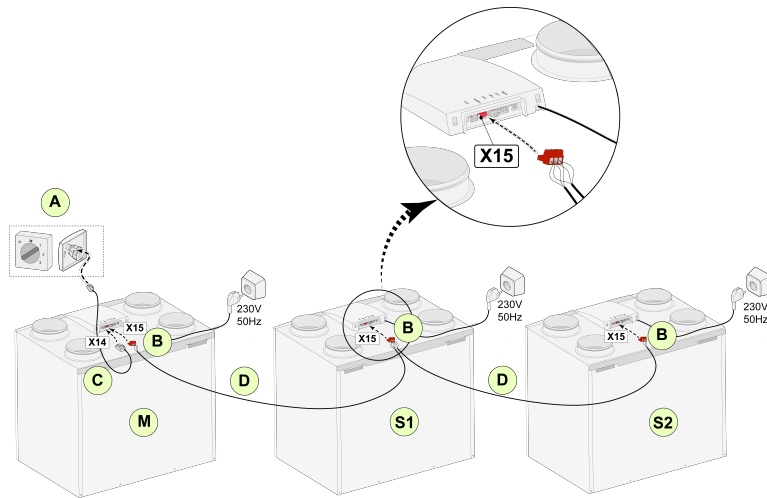


Important

Because of polarity sensitivity, always connect the internal Bus contacts X15-1 with one another, and the contacts X15-2 and the contacts X15-3 with one another. Never connect X15-1, X15-2 or X15-3 with one another!

Comment: If a (Plus) pcb has been installed, several cables need to be connected to the X-15 connector.

Note: When the total length of the internal Bus cables is longer than 10 m, use a twistedpair cable for connection X15-2 & X15-3 (a twisted pair cable is also preferred with shorter lengths)!



For M (master):
 Step no. 8.1 - Master
 Step no. 14.1 - Internal Bus

For S1 (Slave 1):
 Step no. 8.1 - Slave
 Step no. 14.1 - Internal Bus

For S2 (Slave 2):
 Step no. 8.1 - Slave
 Step no. 14.1 - Internal Bus

- A = Multiple position switch
- B = 3-pole connector red
- C = Modular cable
- D = 3-core low voltage cable

M = Master appliance (For example a Flair appliance type 4-0)

S1 / S2 = Slave appliances (For example a Flair appliance type 4-0); connect max. of 10 appliances via Internal Bus.

When connecting multiple units by internal bus, all appliances will have the same air flow rate as the appliance that is set as "Master". The fault messages of all appliances will be shown on the display of the master appliance as well as on the display of the relevant appliance. When using a Brink Air Control or the BrinkHome, always connect this to the Master.

After connecting the cables configure each Flair 225 appliance:

- Enable "InternalBus" in menu 14.1 "Type of Bus connection" where shortly after the network symbol appears.
- Configure each slave in menu 8.1 "Appliance setting slave 1, slave 2 etc where shortly after the M symbol appears on the master appliance and S1, S2 symbol on slave appliances
- Power down and up all appliances.

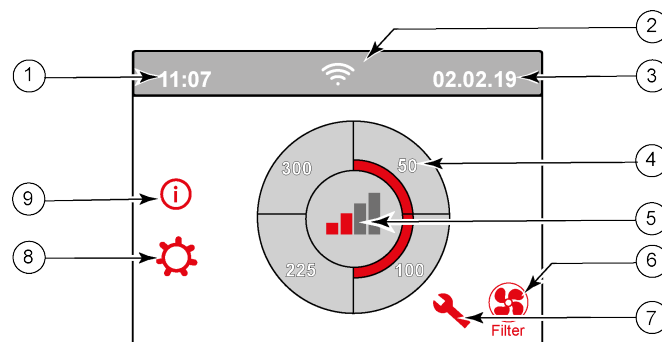
Note: Any accessory such as moisture sensor, position switch, extension board or any eBus device must be connected to the Flair 225 master appliance only.

6 Display

6.1 General explanation of control panel

A display with touchscreen is located at the front of the appliance. This display is used to operate the appliance and to provide the user with information about the status of the appliance. When the mains power is switched on, the software version is first shown; the main screen is then displayed.

Main screen



1 = Current time

2 = Info connections (only displayed if applicable)

3 = Current date

4 = Set ventilation flow rate; the red bars indicate the selected ventilation flow rate.
In this example the active ventilation flow rate is 100 m³/h

5 = Active control

6 = Filter message (only displayed if applicable)*


7 = Fault (only displayed if applicable)*

8 = Access to settings menu

9 = Access to information menu

* Filter message and fault message are located in the same place on the display; fault display has a higher priority, and so will always be shown first even when there is an active filter message!

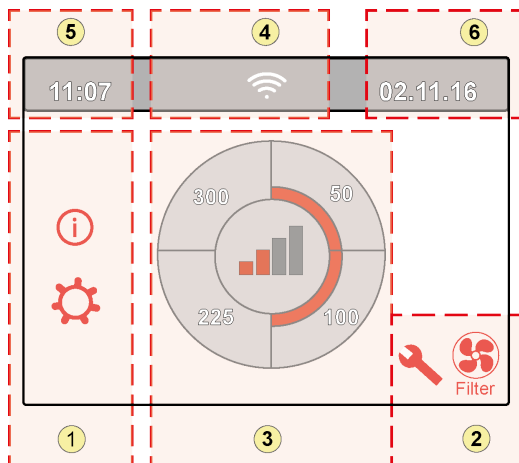
The factory setting of the menu is English.

The desired language/ date & time can be modified in the settings menu ; for this, please refer to the settings value table (→ -> page 52) step number 15.1 to step number 15.10.

6.2 Display layout

The screen is divided up into 6 zones where various symbols/displays can be shown per zone.






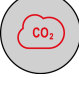

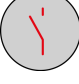

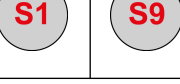
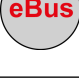
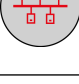

Layout of main screen



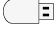


- 1 = Navigation
- 2 = Notifications
- 3 = Main functions
- 4 = Connectivity information
- 5 = Time
- 6 = Date

The various symbols can be shown on the display. This depends on the screen that is shown, the version of the appliance and any connected accessories.

Zone no.	Symbol on display	Description
1		By pressing here you gain access to the information menu; values shown here are read only. It is not possible to change values in this menu.
		By pressing here you gain access to the settings menu. In this menu you can change the various values. Settings can be changed in this menu for all (factory) settings: - Standard appliance (→ -> page 52). - The (Plus) version setting values (→ -> page 55). Caution: Incorrect settings can disrupt the operation of the appliance!
		Use these arrows to go up or down the various menus or to increase or decrease the values of the relevant settings.
		This arrow takes you back one step in the menu.
		This takes you back to the main screen.
2		Filter message symbol; this is only shown if the filter has to be cleaned or replaced. See chapter "Cleaning filter" (→ -> page 29) for more information.
		This symbol is shown if a fault has occurred in the appliance; see chapter Faults (Storingsanalyse -> page 26) for more information.



Zone no.	Symbol on display	Description
3		Control using multiple position switch.
		Control by means of Brink Home.
		Control using touchscreen on appliance; this setting is active for half an hour.
		Control using touchscreen on appliance; touchscreen is permanently set as multiple position switch by setting step number 15.8 to "yes".
		Control using humidity sensor.
		Control using CO ₂ sensor.
		Control using demand-driven ventilation.
		Break contact active or make contact active.
		This appliance is set as Master appliance if a number of appliances are connected (cascade)
		Appliance is set as Slave appliance; maximum of 9 appliances can be connected to a Master.
		Control via eBus for example Brink Air Control .
		Control via ModBus or Internal Bus.
		Bypass boost is active.

Zone no.	Symbol on display	Description
4		Internet connection/Network connection
		Signal strength
		USB connection active.
5	11:07	Current set time of the device.
6	02.01.2020	Current date.

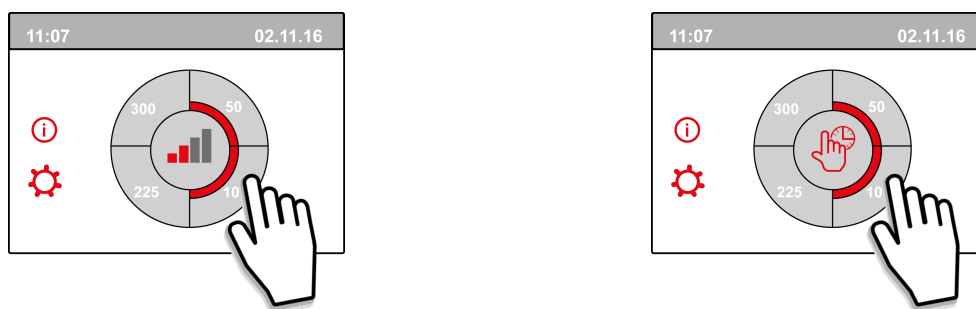
6.3 Display information

When no keys are operated or when no deviating situation has developed (such as fault message or filter message) the light will go out two minutes after the last key has been operated.

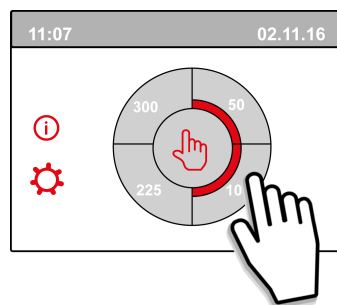
When there is a filter message or a fault in the appliance, the light of the display will be on permanently until the fault has been solved or the filters have been replaced and the filter message has been reset.

Pressing the Home button  brings you back to the main screen from any particular menu; pressing the return button  takes you back 1 step in the menu.

Briefly press the display (shorter than 5 seconds) to switch on the display backlight without changing anything in the menu; the display lights up for 2 minutes.



By pressing one of the quarter circles on the main screen, the ventilation mode can be adjusted quickly. The ventilation mode that is set in this way remains active for half an hour; this is indicated on the display by a hand with a clock.



The touchscreen can also be permanently set as multiple-position switch; to do this step number 15.8 in the settings menu has to be set to "yes".



Warning:

Incorrect settings can seriously disrupt the proper functioning of the appliance!

7 Starting appliance

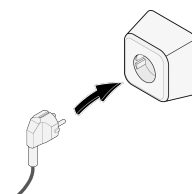
7.1 Switching appliance on and off

Switching on:

▪ Switching on the mains power:

1. Connect the 230 V. power plug to a (powered) wall socket
2. Display lights up; the software version is shown in display.
3. The appliance will then operate immediately after this, according to the setting of the multiple-position switch. If no multiple-position switch is connected then the appliance operates always in mode 1.

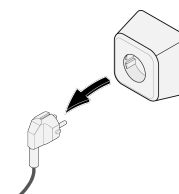
If the appliance has been without power for more than approx. 1 week, then language, time and date have to be set again in settings menu ⚙️.



Switching off:

▪ Switching off mains power:

1. Disconnect the appliance's 230V power plug from the wall socket; there is no power on the unit anymore
2. The display is off and not showing anything.



Warning!

When working on the appliance, always first take the voltage from the appliance by pulling the power plug.

7.2 Setting the air flow

Proper ventilation and correct functioning of the installation contributes to a healthy indoor environment with optimal comfort.

The (4 possible) air flow settings have been factory set as follows: 40, 50, 100 and 150 m³/h. The performance and energy consumption of the appliance depends on the pressure drop in the ducting system, and on the filter resistance. If these conditions are not complied with, the air flow rate of the higher mode will automatically be adjusted.

Changes can be carried out in the settings menu ⚙️.

Go in the settings menu to steps 1.2 to 1.4 to adjust the air flow.


The highest demanded ventilation mode has priority. If the external multiple position switch is set to mode 3, then the ventilation mode cannot be adjusted to a lower mode on the main screen.

An exception to this is ventilator mode 0. If mode 0 is chosen on the display: control from other switches, sensors, etc. is not possible.

For connected CO₂ sensors the air flow will be steplessly controlled between mode 1 and 3 depending on the measured PPM values: for a connected humidity sensor the air flow will be switched to mode 3 when this is switched on.

7.3 Other settings for installer

In addition to the air flow, it is also possible to change other settings of the appliance; for an overview of the settings of a standard appliance (→ -> page 52) and appliance with (Plus) pcb (→ -> page 55).

Changes can be carried out in the settings menu .



Warning:

As changes in the settings menu can disrupt the proper functioning of the appliance, changes of settings not described here require consultation with Brink Climate Systems B.V. Incorrect settings may seriously affect the proper performance of the appliance!

7.4 Factory settings

It is possible to reset the appliance to the factory settings.

All changed settings are then back to the values they had when they left the factory; all message and fault codes will be deleted from the service menu.

The filter message, however, is not reset!

For returning to factory settings, open the settings menu .

Under appliance settings, the appliance can be returned to factory settings through step number 15.9.



Caution!

After resetting to the factory setting, step number 14.1 must be reset to Internal Bus in the settings menu!

8 Fault

8.1 Fault analysis

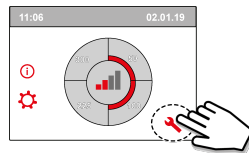
When the appliance's control system detects a fault, this will be indicated on the display by a spanner symbol, possibly also with a fault number.

The appliance makes a distinction between a fault at which the appliance keeps running (limitedly) and a serious (locking) fault in this case both fans are switched off.

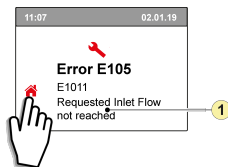
8.2 Display Codes

Non-locking fault

When the appliance detects a non-locking fault, it will keep running (limitedly). The (permanently lighted) display will show the fault symbol. Press the fault symbol for an explanation/ solution to the fault.



The screen can be left by pressing the "Home" button.
If a fault cannot be solved, please contact the installer.

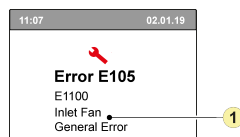


1. Requested supply flow rate not reached

Locking fault

When a locking fault is detected the appliance will switch off. . The settings and information menu's will also be switched off.

The (permanently lighted) display shows the fault symbol (spanner) together with a relevant fault code. The red LED on the multiple-position switch (if applicable) will start flashing. The appliance remains in this fault mode until the fault is resolved. After resolving the fault the appliance will reset itself (Auto reset) and start up again; the display will be showing the situation again. Contact the installer when a locking fault occurs.



1. Supply fan defective

A locking fault will not be resolved by resetting the power supply of the appliance; first the fault has to be solved.



Warning!

Disconnect the power supply before working on the internals or on the PCB of the appliance!.

In the table below the locking faults are marked with a * after the fault number.

The display shows a brief explanation of this fault code.

If there is reference to the "Standby" mode of the appliance, then both fans are shut down but there is still something shown on the display of the appliance.


Fault code	Sub code	Cause	Appliance action	User action
E190	E1000	Self-test not good	No action	
E152 *	E1001 *	Flash memory faulty	Stop appliance if possible	Replace basic pcb UWA2-B
E153	E1002	EEPROM memory defective	Appliance goes to factory setting; fan setting 2	Replace basic pcb UWA2-B
E105	E1011	Requested supply flow rate is not achieved	None	Clean or replace filters Check that ducts are not blocked
E104	E1012	Requested exhaust flow rate is not achieved	None	Clean or replace filters Check that ducts are not blocked
E000 *	E1013 *	Temperature of outside air too high	Appliance goes to standby	Depending on the situation: In the event of warm weather and a supply directly below the tiles, wait until the air has cooled or install a roof sleeve instead of duct under the tiles In the event of cold weather or when there is no air from below the tiles, take the voltage from the appliance and replace air temperature sensor (NTC)
E105 *	E1100 *	Supply fan defective; general message	Appliance goes to standby	Replace supply fan Fault is reset automatically when voltage is put back on appliance.
E104 *	E1120 *	Exhaust fan defective; general fault message	Appliance goes to standby	Replace exhaust fan Fault is reset automatically when voltage is put back on appliance.
E103	E1200	Bypass defective; general fault message	None	Check wiring Replace bypass or wiring harness
E106 *	E1300 *	Sensor NTC1 defective; general fault	Appliance goes to standby	Check wiring Replace NTC sensor or replace wiring
E111	E1400	RHT sensor 1 defective; general message/ USB transceiver removed	No humidity control	Check wiring Replace RHT sensor or replace wiring/ Insert USB transceiver
E113	E1600	Internal preheater defective; general fault message	Frost protection goes to imbalance mode	Check fuses Check wiring; replace if damaged and replace otherwise the internal preheater Fault is automatically reset when the voltage is put back on the appliance.
E114	E1500	Multiple-position switch defective; general fault	Appliance goes to mode 1	Replace multiple-position switch
E130	E1800	Relay output 1 defective; general fault	Signal output not available	Disconnect power plug Replace UWA2-B pcb Fault is automatically reset when voltage is again put back on appliance.

Fault code	Sub code	Cause	Appliance action	User action
E155	E2000	Touchscreen fault; general fault message	Fault codes only visible when using service tool	Check wiring to touchscreen; replace wiring if damaged; replace touchscreen, if fault still occurs replace UWA2-B Fault is automatically reset when solved and power is put back on appliance
E120	E2100	EBus fault; general fault message	Brink Air Control and other accessories connected to eBus do not work. Appliance is working	Check wiring to accessories/ Brink Air Control Check accessories/Brink Air Control and replace if defective If there is still a fault after this: Take voltage from appliance and replace basic pcb UWA2-B
E121	E2200	Internal Bus general fault message	Brink Air Control and other accessories do not work. Appliance is working	Check wiring to accessories/ Brink Air Control Check accessories/ Brink Air Control and replace if defective If there is still a fault after this: Take voltage from appliance and replace basic pcb UWA2-B
E122	E2300	Internal ModBus fault; general fault message	Appliance goes to standby	Check wiring and connections to UWA2-B and the fans Replace cable harness if damaged; Then exchange UWA2B, exhaust fan and supply fan
E123	E2400	External ModBus fault; general fault message	Operation via Modbus does not work	Check cabling of accessories; replace if damaged Check accessories; replace if defective If fault still occurs: Take voltage from appliance and replace UWA2-B
E124	E2500	USB port general fault message	USB interface not usable	Replace USB accessory If the fault is not remedied after this: take the voltage from the appliance and replace UWA2-B
E170	E2600	One or more CO ₂ sensor(en) defective; general fault message/ USB transceiver removed	Appliance is working; no CO ₂ regulation	Check cabling and CO ₂ sensor(s); replace if damaged Check CO ₂ sensor(s); replace if defective/ Insert USB transceiver
E171	E2700	External preheater or fuse defective; general fault message	No preheater / comfort control responds differently	Disconnect preheater and check preheater fuse; replace fuse if defective If fault does not clear: Replace external preheater Put voltage back on appliance Fault has automatically been reset
E172	E2800	External postheater or fuse defective; general fault message	No postheater / comfort control responds differently	Disconnect postheater and check postheater fuse; replace fuse if defective If fault does not clear: Replace external postheater Put voltage back on appliance Fault has automatically been reset

9 Maintenance

9.1 Cleaning filters

The required maintenance of the appliance to be carried out by the user is limited to periodic cleaning and replacing of the filters.

Filters need to be cleaned when the filter symbol  is indicated on the appliance's display or when the red LED on the Multi-position switch (if installed) is on.

The filters should be replaced every half year.

Filters can be cleaned once, when cleaning is needed for a second time the filters need to be replaced.


Never switch on the appliance without filters!

Cleaning and replacing the filters:


Press and hold the filter symbol  for longer than 3 seconds to open the filter wizard.

Follow the instructions on the display to clean and/or replace the filters.

This filter wizard cannot be interrupted.



When all the instructions on the menu have been followed and confirmed, then the filter wizard can be closed by pressing  the "Home" button, the display then returns to the main screen; the filter message is reset and the filter message disappears.

Comment:

If the filter wizard is opened in order to replace the filters whilst there is no filter message on the display screen, go in the settings menu  to step number 4.2 to open the filter wizard. Now follow the instructions on the display, once finished the timer of the filter message is reset.

it is also possible to use step number 4.3 in the settings menu to reset the filter directly without opening the filter wizard. choose yes and exit menu by pressing home  or return button .button .

The timer of the filter message is then reset!

Pressing the Home button  brings you back to the main screen from any particular menu; pressing the return button  takes you back 1 step in the menu.

9.2 Maintenance siphon

Cleaning the siphon

Every year the siphon must be disconnected and cleaned.

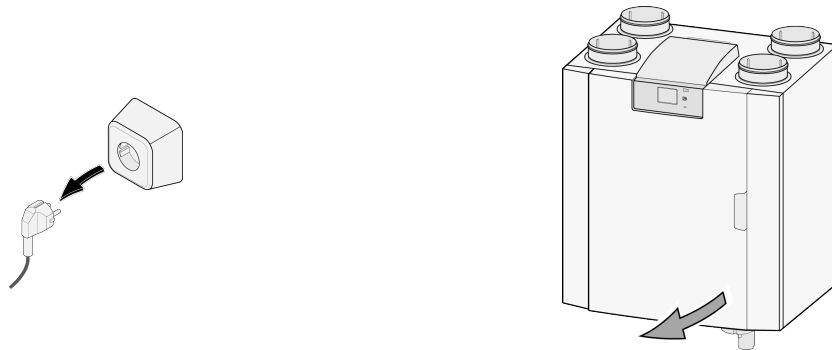


(For example a Flair appliance type 4-0).

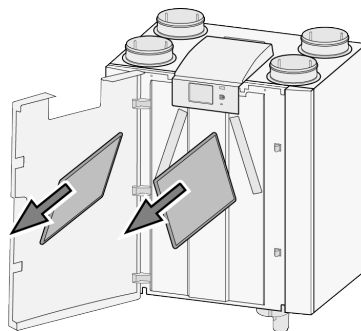
9.3 Maintenance installer

Installer maintenance includes cleaning the heat exchanger, internal preheater and fans. Dependent on the conditions, this must be done about once every three years.

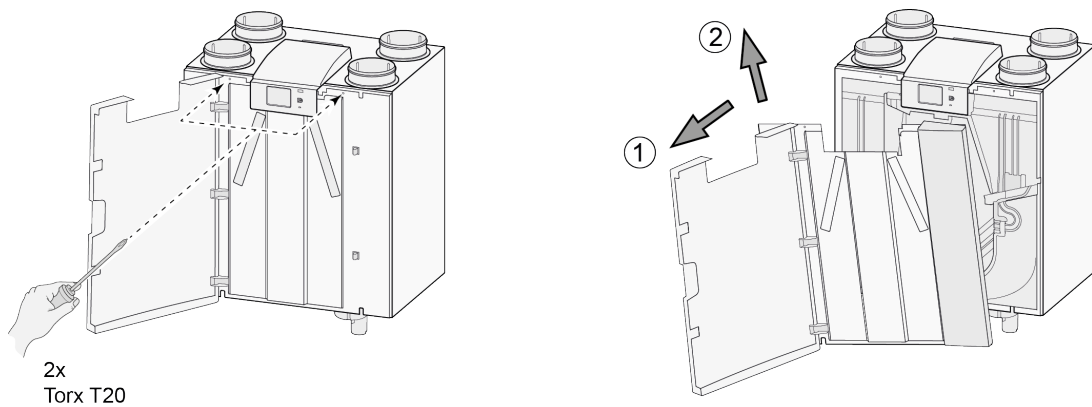
- 1 Remove the power supply by pulling out the plug.
Open the filter door.



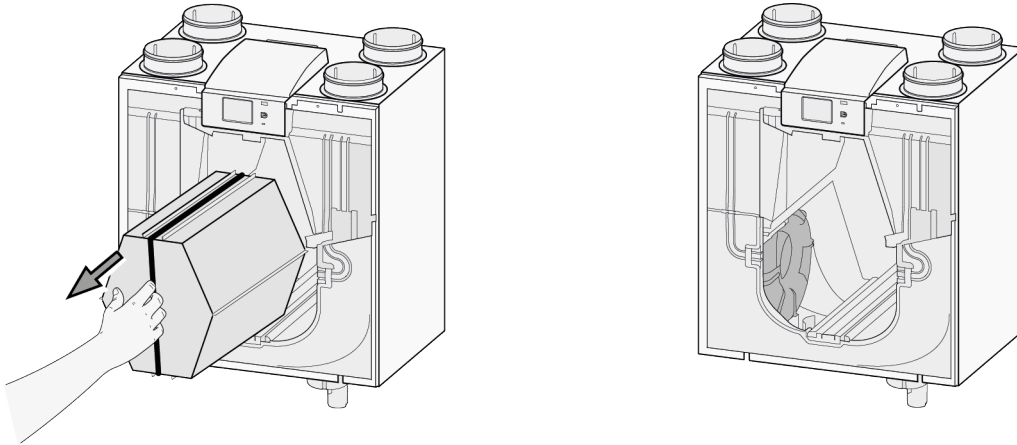
- 2 Remove the two filters.



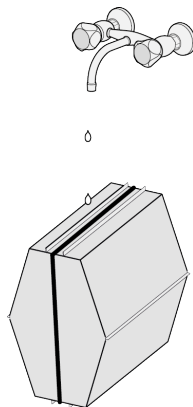
- 3 Remove the front cover.



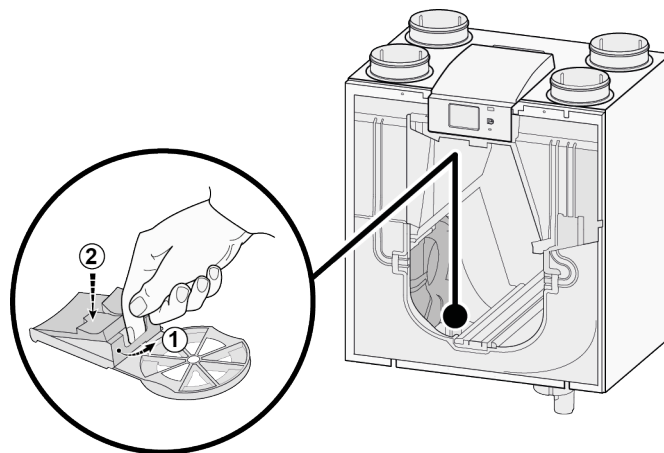
- 4 Remove the heat exchanger. Be careful not to damage the foam parts in the appliance.



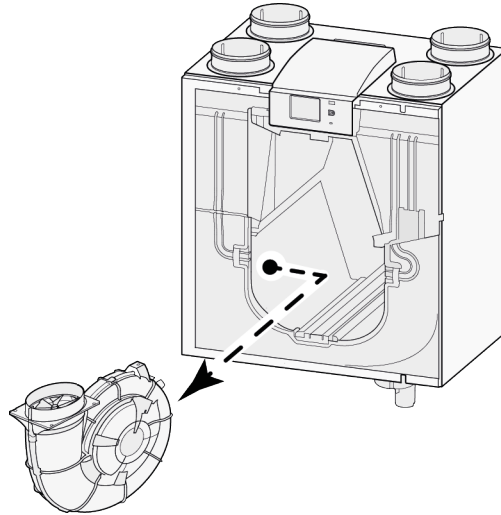
- 5 Clean the heat exchanger only by rinsing it with warm water (max. 45°C) and common detergent. Then rinse with warm water.



- 6 Fold down the fan lock to create space underneath the fan.

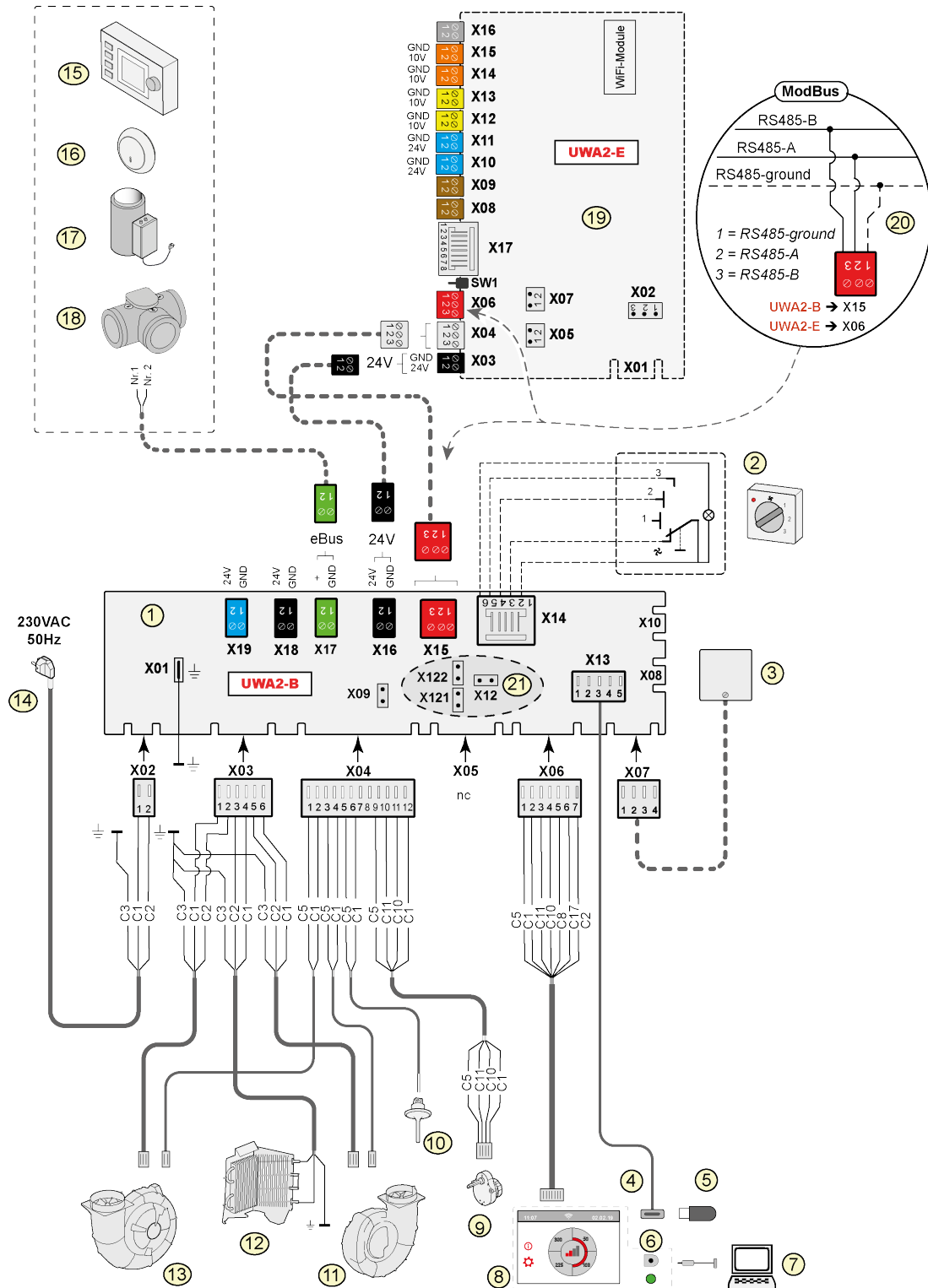


- 7 Now remove the fan from the unit; disconnect both fan cables.



- 8 Repeat steps 6 & 7 for the other fan in the appliance.
- 9 Carefully clean both fans with a soft brush; do not use any water or cleaning agent.
- 10 Clean the internal preheater (for position see [Service articles Flair 225 EU](#) -> page 50).
- 11 Place both fans back in the appliance and connect the disconnected fan cables once more; when doing so, take care that the fan cables are “behind” the fans and that the fans are returned to their original position. The left fan is indicated by "Left"; the right fans is indicted by "Right".
Comment: Do not change the position of the fans!!
- 12 Slide the cleaned heat exchanger carefully back into the appliance; when doing so, take care that the EPS parts and rails in the appliance are not damaged, which could otherwise leads to internal leaks in the appliance. Take care when returning the heat exchanger that the text on the type plate is not upside down! Place the heat exchanger back such that this type plate is visible.
- 13 Put the front cover back on and screw it secure.
- 14 Install two new filters and close the front cover.
- 15 Reconnect the 230V power supply to the appliance.
- 16 Reset the timer of the filter message by setting the timer back to zero in the settings menu at step number 4.3.
- 17 After resetting the timer of the filter message the appliance returns to the main menu and the appliance is once again ready for use.

10 Electrical diagram



1 =	Basic pcb
2 =	Multiple-position switch (option)
3 =	Humidity sensor (option)
4 =	USB connector
5 =	USB stick for updating software (not supplied with appliance) or USB transceiver for wireless controller/sensor (option)
6 =	Service connector
7 =	Laptop with installed Brink service tool (not supplied)
8 =	Touchscreen on appliance
9 =	Valve motor bypass valve
10 =	Air temperature sensor
11 =	Exhaust fan*
12 =	Internal preheater incl. maximum security
13 =	Supply fan*
14 =	Power supply 230V 50Hz
15 =	Brink Air Control (option)
16 =	CO ₂ sensor eBus (option)
17 =	Heater eBus (option)
18 =	Zone valve demand-driven ventilation 2.0 (option)
19 =	(Plus) pcb (option)
20 =	Connection on ModBus system (option)
21 =	X12 is Jumper terminating resistance (120 Ω) ModBus (remove if terminating resistance has already been placed in ModBus system). With Modbus application remove the jumpers X121 & X122; when using Internal Bus place the jumpers X12, X121 & X122; remove Jumper X07 from (Plus) pcb when a (Plus) pcb is applied.
*	The control cables of the fans can be switched with no problem; when the power is switched on the appliance determines itself which is the supply and exhaust fan! When the appliance detects another fan (for example when a fan is replaced during service activities), then a “wizard” starts up automatically; follow the instructions on the display for the correct connection of the fan cables.

Basic pcb

X15 =	Internal Bus/ModBus
X16 =	24V
x17 =	eBus
X18 =	24V (max 5VA)
X19 =	Signal output

(Plus) pcb (option)

X03 =	24V
X04 =	Internal Bus
X06 =	ModBus
X08 =	Contact input 1
X09 =	Contact input 2
X10 =	Relais output 1
X11 =	Relais output 2
X12 =	Analog input (0 to 10 V)
X13 =	Analog input (0 to 10 V)
X14 =	Analog output (0 or 10 V)
X15 =	Analog output 2 (0 or 10 V)
X16 =	NTC 10K
X17 =	LAN

Wire colours

C1 =	brown
C2 =	blue
C3 =	green/yellow
C5 =	white
C8 =	grey
C10 =	yellow
C11 =	green
C17 =	purple



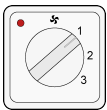
Important!

When installing and maintaining the unit (see → -> page 31) check that no dust or dirt has accumulated on the preheater! Clean these well during maintenance.

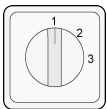
11 Electrical connections accessories

11.1 Connecting multiple-position switch

A multiple-position switch must be connected to the modular connector type X14 on the basic PCB. This modular connector X14 is accessible from the rear of the control. If the appliance has a (Plus) PCB the cover first has to be removed in order to gain access to this modular connector ([→](#) -> page 34). Depending on the type of multiple-position switch that is connected, one can use either an RJ11 or RJ12 plug.

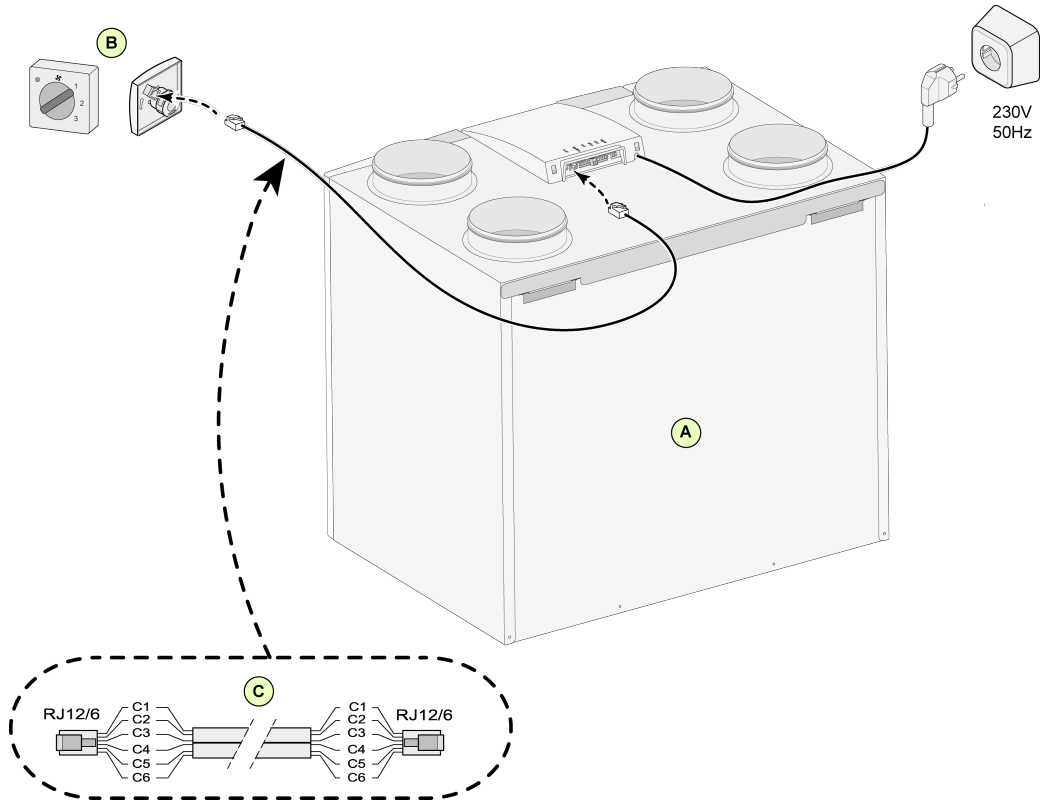


It is best to use a 4-way switch with filter indication; always install an RJ12 connector in combination with a 6-core modular cable.



When using a 3-way switch without filter indication always install an RJ11 connector in combination with a 4-core modular cable.

11.1.1 Connecting multiple-position switch with filter indication

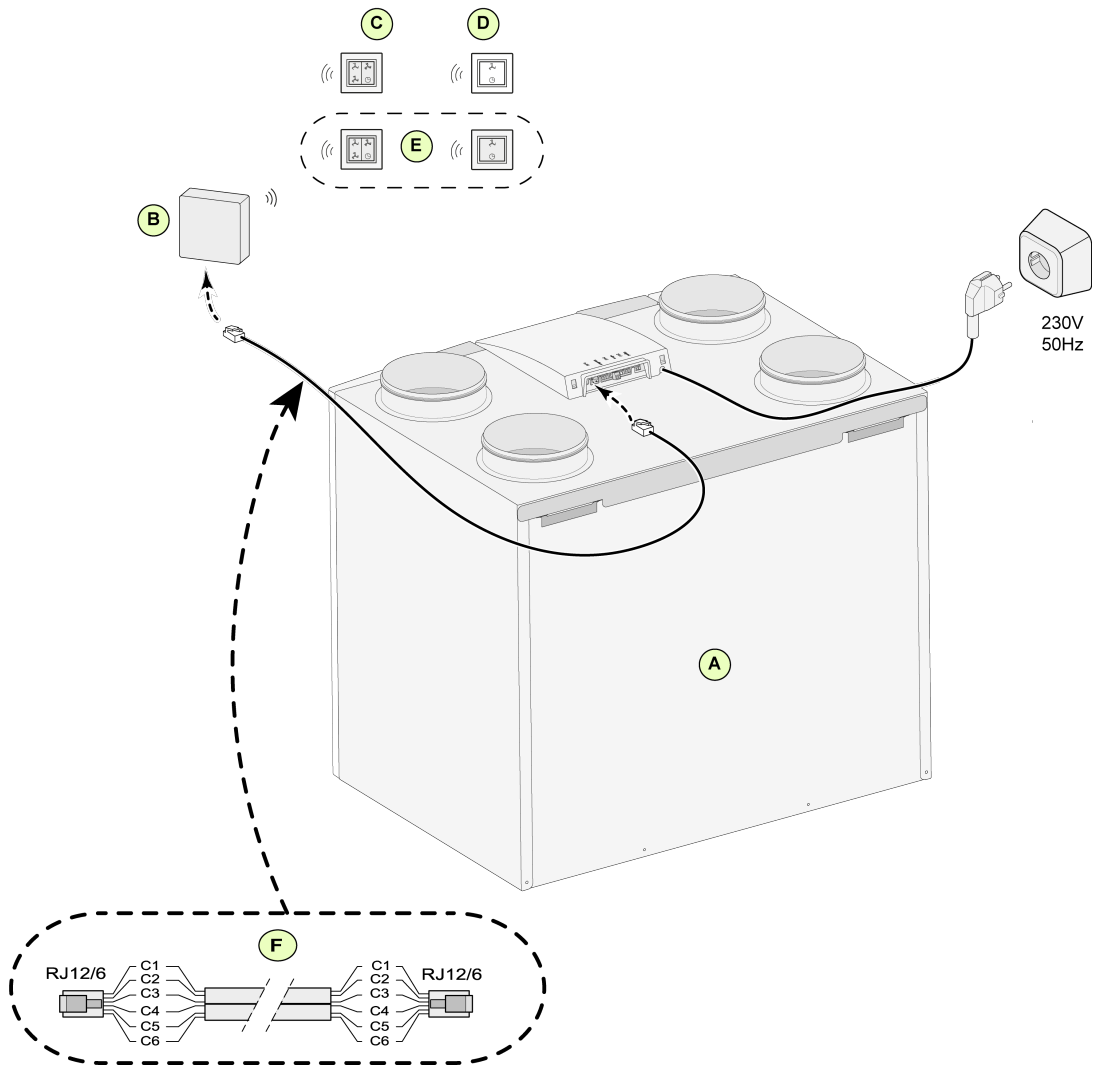


A = Flair appliance (For example a Flair-2-325 appliance type 4/0)

B = 4-way switch with filter indication

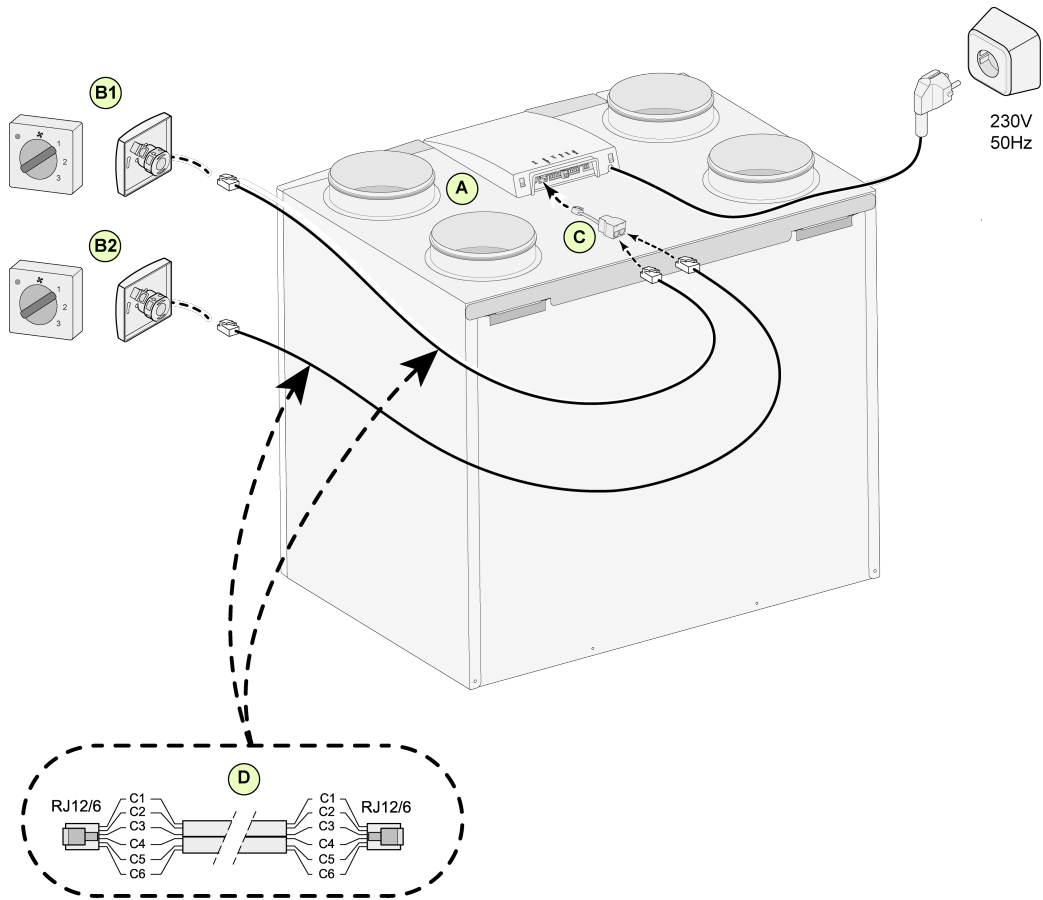
C = Modular cable: Note: For the modular cable that is used, the “tab” of both modular connectors must be mounted facing the mark on the modular cable. Wire colors C1 - C6 may vary dependent on the type of modular cable used.

11.1.2 Connecting wireless remote control (without filter indication)



- A = Flair appliance (For example a Flair appliance type 4-0)
- B = Receiver for wireless remote control
- C = Transmitter with 4 settings (for example kitchen)
- D = Transmitter with 2 settings (for example bathroom)
- E = Any additional 2- or 4-settings transmitters (maximum of 6 transmitters can be signed on to 1 receiver)
- F = Modular cable: Note: For the modular cable that is used, the “tab” of both modular connectors must be mounted facing the mark on the modular cable. Wire colors C1 - C6 may vary dependent on the type of modular cable used.

11.1.3 Connecting extra multiple-position switch with filter indication



A = Flair appliance ((For example a Flair-2-325 appliance type 4/0)

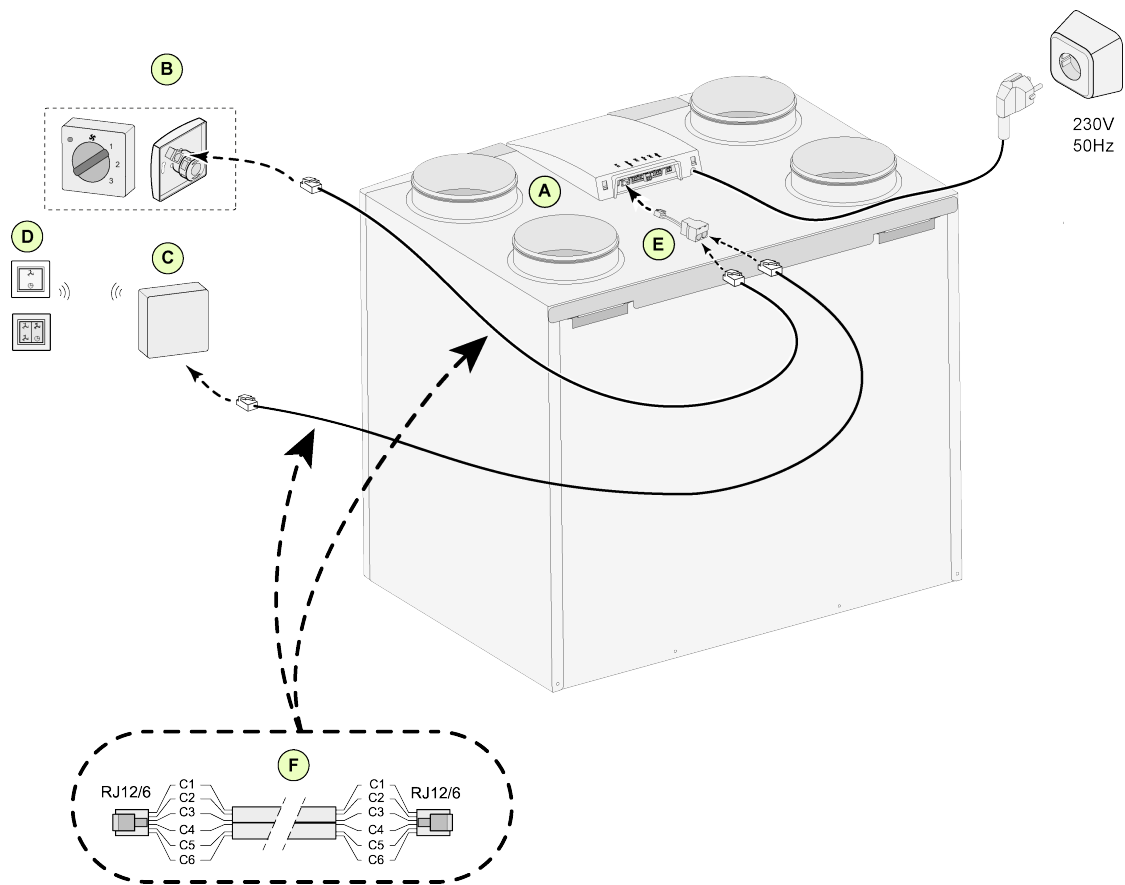
B1 = Multiple position switch with filter indication

B2 = Extra multi position switch with filter indication

C = Splitter

D = Modular cable: Note: For the modular cable that is used, the “tab” of both modular connectors must be mounted facing the mark on the modular cable. Wire colors C1 - C6 may vary dependent on the type of modular cable used.

11.1.4 Connecting extra multiple-position switch with filter indication



A = Flair appliance (For example a Flair appliance type 4-0)

B = Multiple-position switch with filter indication

C = Receiver for wireless remote control

D = Transmitter with 2 settings or 4 settings

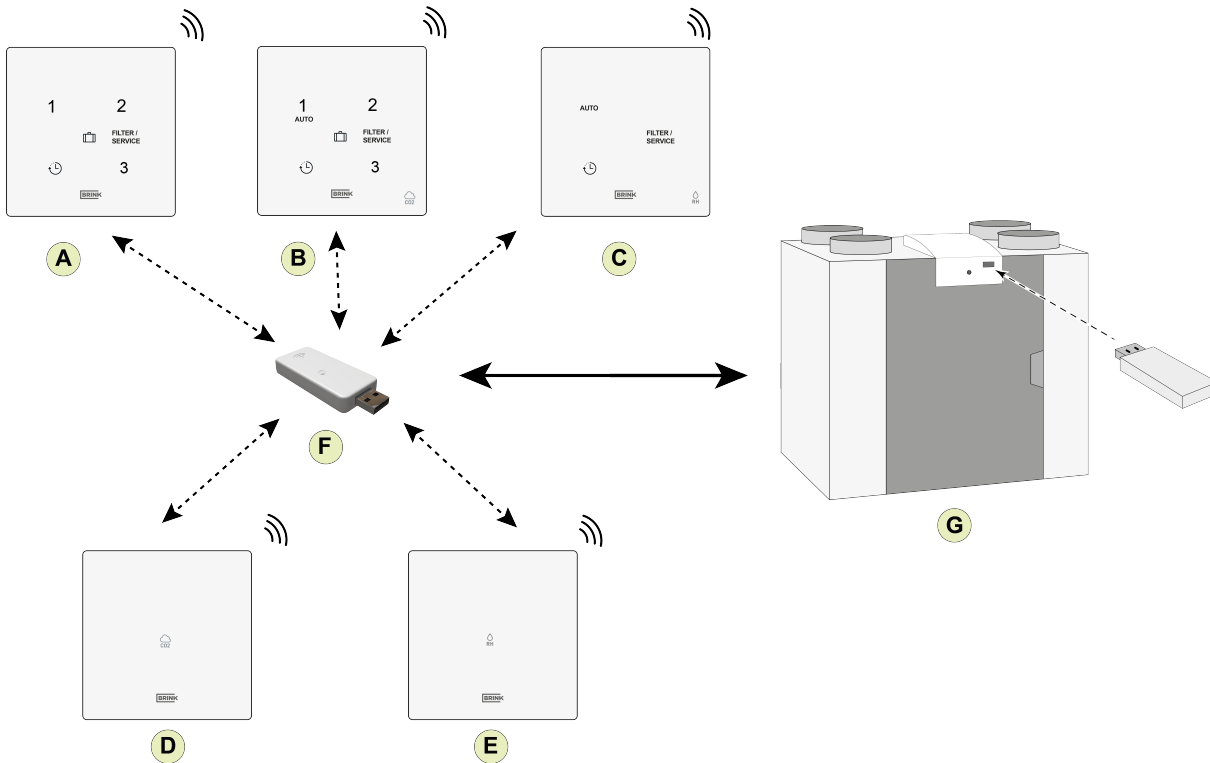
E = Splitter

F = Modular cable: Note: For the modular cable that is used, the "tab" of both modular connectors must be mounted facing the mark on the modular cable. Wire colors C1 - C6 may vary dependent on the type of modular cable used.

11.1.5 Connection wireless controllers & sensors

Brink product range consists of various wireless remote controls and sensors that are able to communicate with a heat recovery unit appliance through a USB transceiver. (HRU). This range consists of the 5 following types of wireless controllers/sensor (A-E).

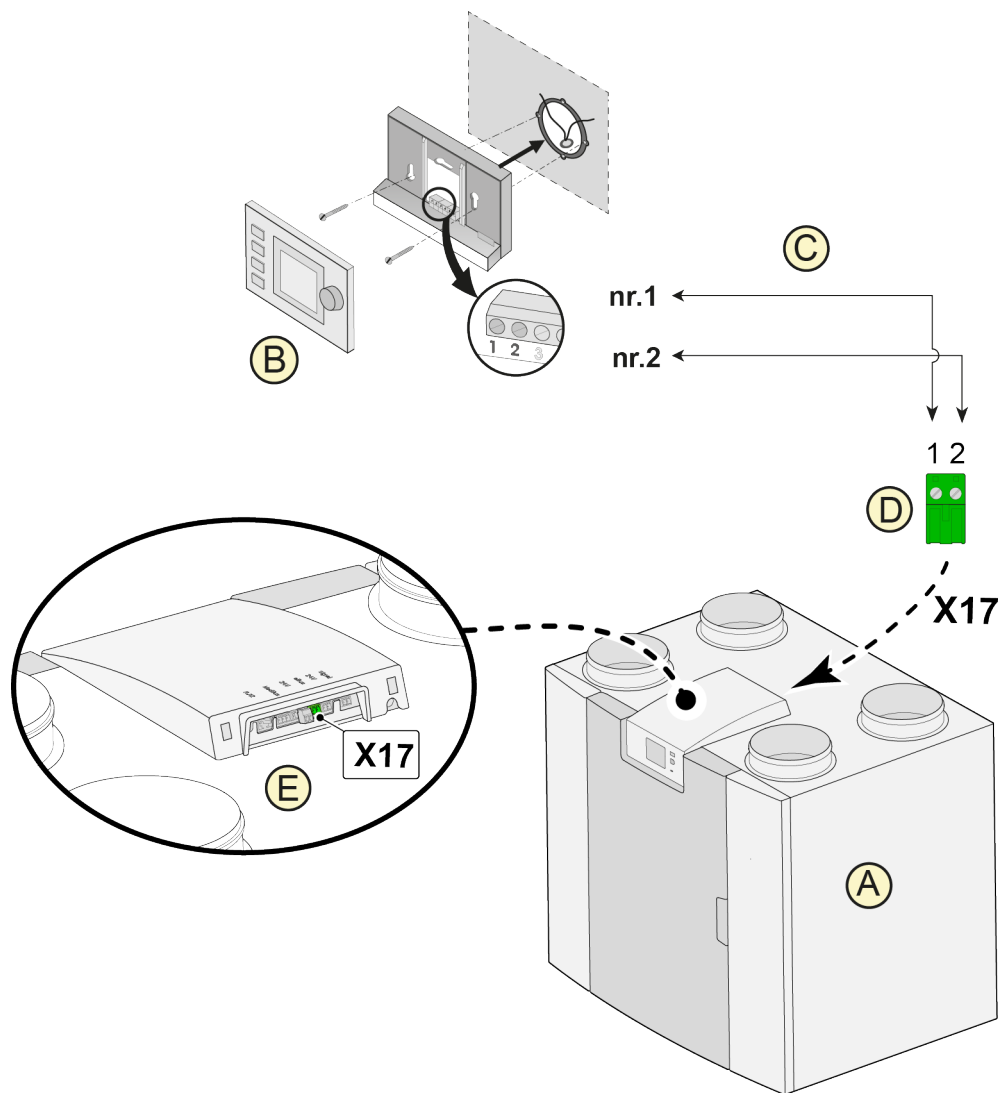
The wireless controller/sensor can only be used with a heat recovery unit (HRU) appliance which is equipped with a USB connection and produced after July 2022! Remote control (A, B or C) also indicates when the filter(s) needs to be replaced/ cleaned or when system is malfunctioning.



- A = Wireless controller
- B = Wireless controller with build in CO₂-sensor
- C = Wireless controller with build in humidity-sensor
- D = Wireless CO₂-sensor
- E = Wireless humidity-sensor
- F = USB transceiver
- G = Flair-appliance with USB connection

For further information regarding setting, operating and connecting wireless controller/sensor, refer to the relevant installation instructions.

11.2 Connecting Air Control



A = Flair appliance (For example a Flair appliance type 4-0)

B = Air Control (option)

C = Two-core control cables

D = Green two-pole screw connector

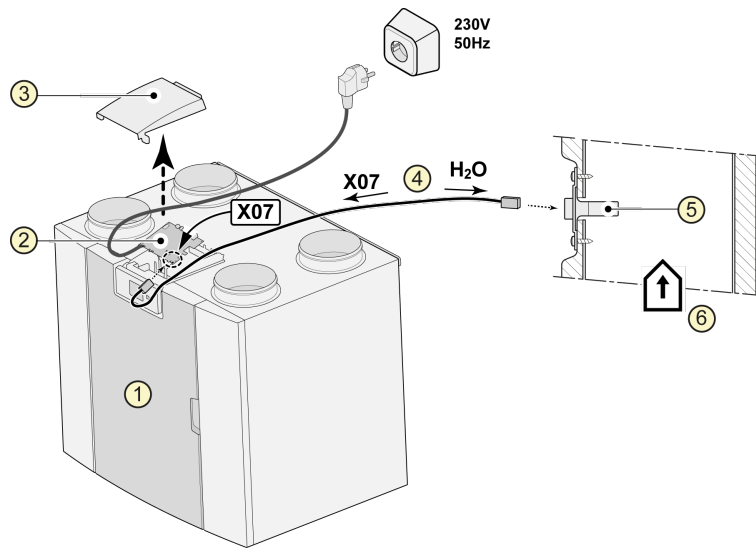
E = Position green eBus connector to rear of control



Warning:

The combined use of the three accessories: air control, additional preheater and postheater is not possible due to the voltage limit of the eBus system.

11.3 Connecting humidity sensor



1 = Flair appliance (For example a Flair appliance type 4-0)


2 = Basis pcb

3 = Cover

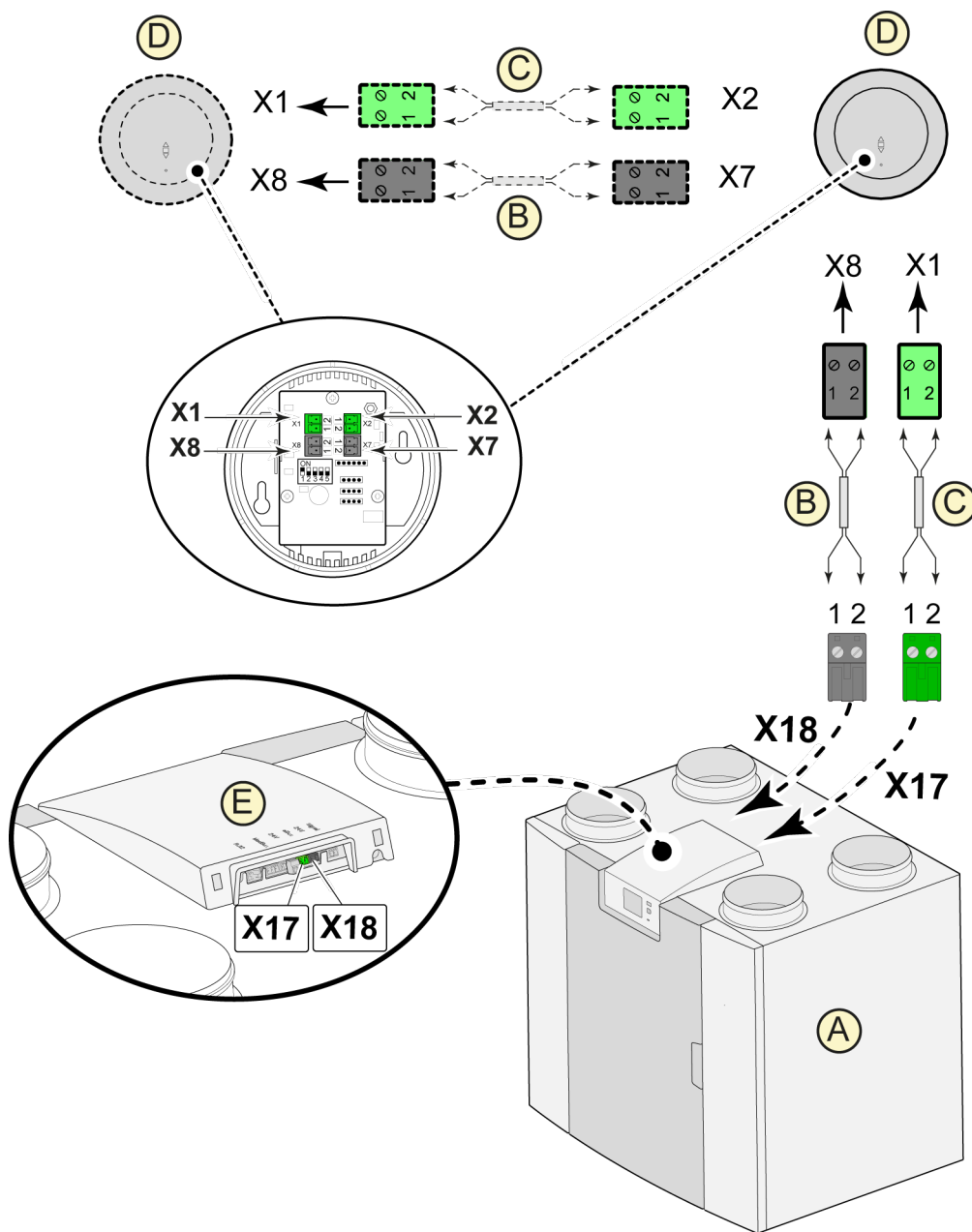
4 = The cable that comes with RH sensor

5 = RH (humidity) sensor


6 = Duct from dwelling

To switch on and set the sensitivity of the humidity sensor, go to step number 7.1 and 7.2 in the settings menu .

11.4 Connecting CO₂ sensor(s)



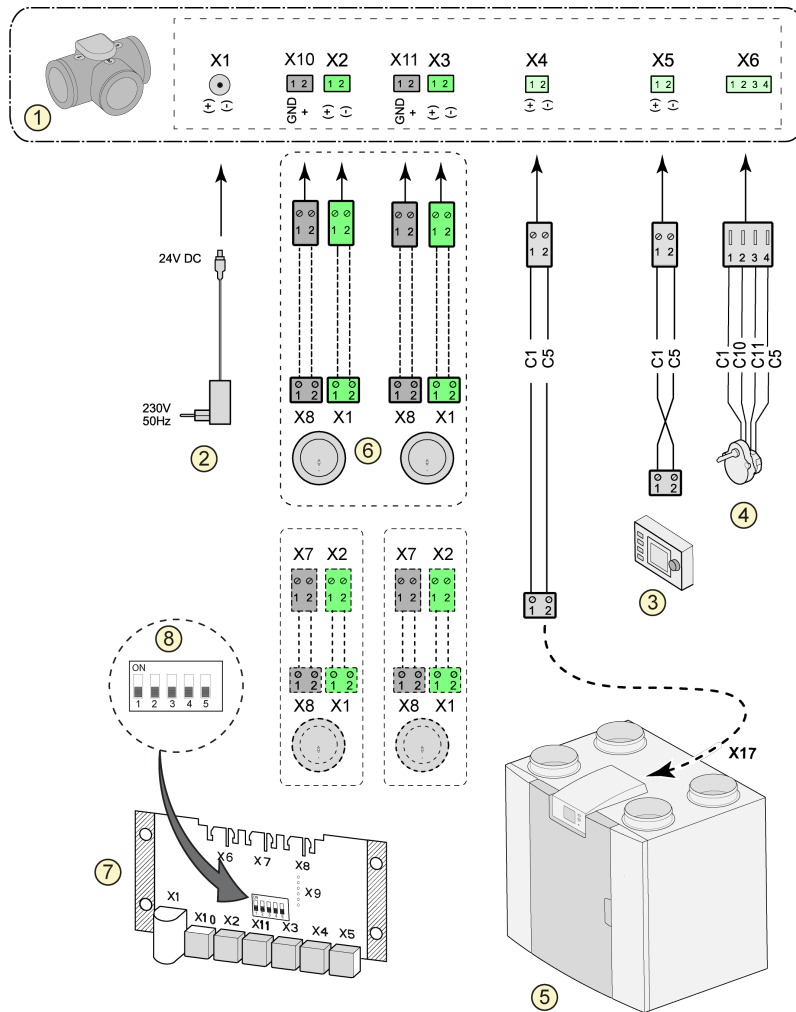
- A = Flair appliance (For example a Flair appliance type 4-0)
- B = 2-pole control cable for 24V power supply (black connectors)
- C = 2-core control cable for eBus connection (green connectors)
- D = CO₂ sensor(s); connect a maximum of 4
- E = Connection X17 (eBus) and X18 (24V) on Flair appliance

For switching the CO₂ sensor(s) on and off, select the right setting at step number 6.1 in the settings menu ; in order to set the minimum and maximum PPM value of the CO₂ sensor(s) set, if necessary, the right values following step numbers 6.2 to 6.9.

11.5 Demand-controlled ventilation 2.0

Demand-controlled ventilation provides the correct amount of ventilation per zone depending on air quality. This can be done in 2 ways, namely based on CO₂ measurements or based on a time program. Two different sets are available for this. Manual operation with the aid of an extra connected multiple switch of course remains a possibility as well.

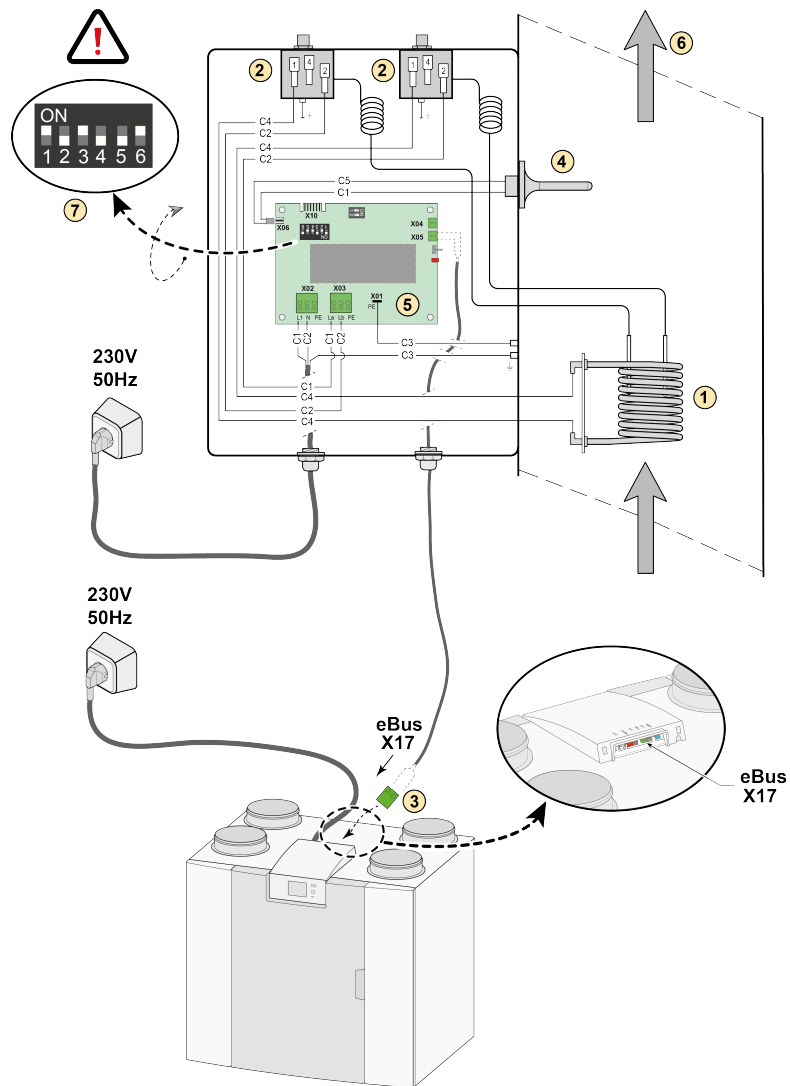
For further information regarding setting, operating and connecting demand-driven ventilation 2.0, refer to the installation instructions supplied with the demand-driven device.



- 1 = Zone valve demand-controlled ventilation
- 2 = Power 24 VDC
- 3 = Air Control
- 4 = Valve motor zone valve
- 5 = EBus connection X17 on Flair appliance(For example a Flair appliance type 4-0)
- 6 = CO₂-sensors (only applicable when demand-controlled based on CO₂)
- 7 = Pcb demand-controlled
- 8 = Dipswitch setting on pcb zone valve

- C1 = brown
- C2 = blue
- C3 = green/yellow
- C5 = white
- C10 = yellow
- C11 = green

11.6 Connecting postheater



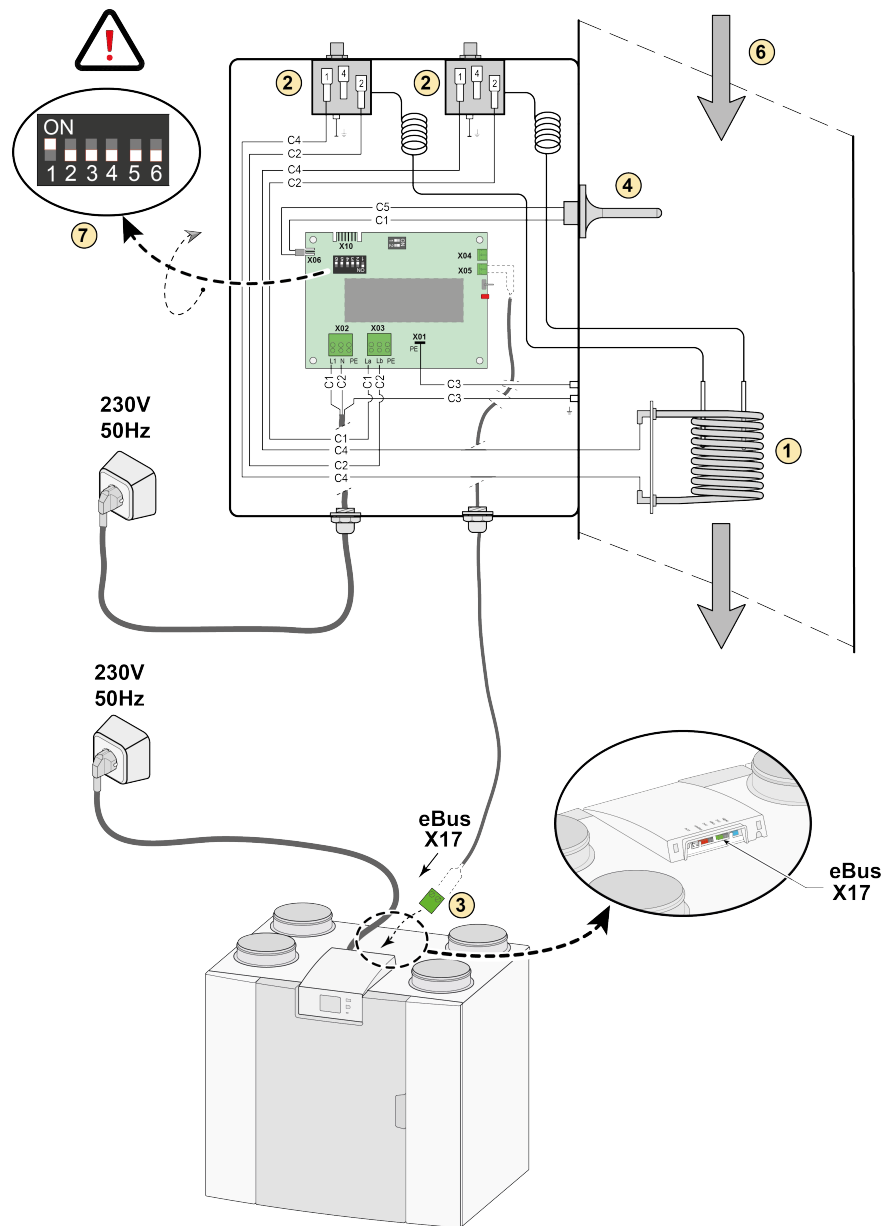
- 1 = Heating coil
- 2 = Maximum safety with manual reset
- 3 = 2-pole eBus connection X17 on Flair appliance
- 4 = Temperature sensor
- 5 = PCB type UVP1
- 6 = Airflow direction
- 7 = Dipswitch setting Flair postheater

- C1 = brown
- C2 = blue
- C3 = green/yellow
- C4 = black
- C5 = white

If a post-heater is used, set at least 40m³/h at Parameter step 1.1 to prevent overheating.

(For example a Flair appliance type 4-0)

11.7 Connecting preheater

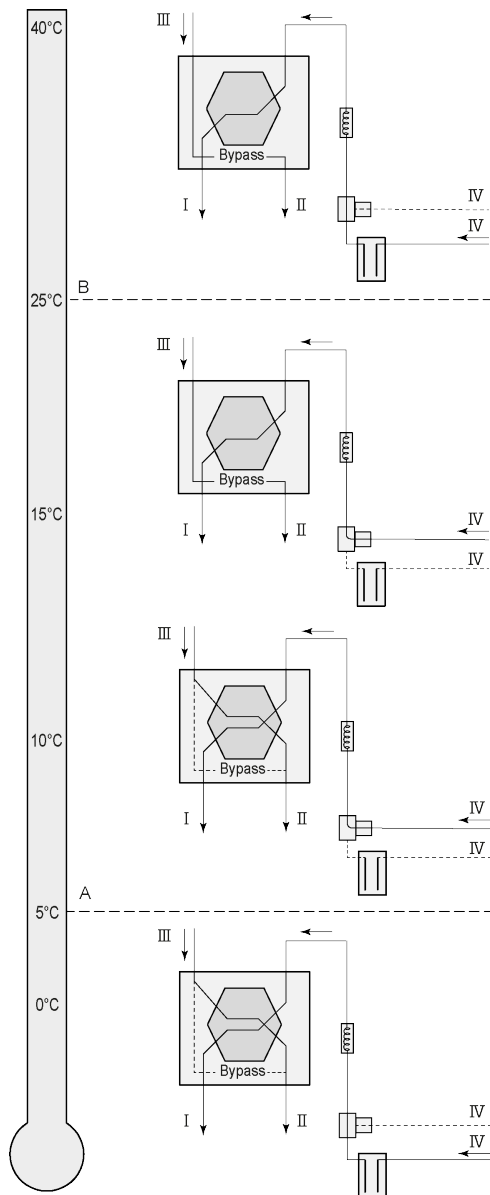


- 1 = Heating coil
- 2 = Maximum safety with manual reset
- 3 = 2-pole eBus connection X17 on Flair appliance
- 4 = Temperature sensor
- 5 = PCB type UVP1
- 6 = Airflow direction
- 7 = Dipswitch setting Flair preheater

C1 = brown
 C2 = blue
 C3 = green/yellow
 C4 = black
 C5 = white

(For example a Flair appliance type 4-0)

11.8 Connecting Geo-heat exchanger



A geo heat exchanger can be connected to the Flair appliance with (Plus) PCB.

Depending on the type of valve the geo heat exchanger can be connected to different connection of the (Plus) PCB:

X10 no. 1 & 2 - Relay output 1 (Factory setting)

X11 no. 1 & 2 - Relay output 2

X14 no. 1 & 2 - Analogue output 1 (0 - 10 V)

X15 no. 1 & 2 - Analogue output 2 (0 - 10 V)

Connect the outdoor temperature sensor to no. 1 and no. 2 of the 2-pole connector X-16.

A = Min. temperature

B = Max. temperature

I = To dwelling

II = To outside

III = From dwelling

IV = From outside

When using a geo heat exchanger, parameter 11.1 must be changed from "OFF" to "ON".

Step No.	Description	Factory setting	Range
11.1	Switching on and off	Off	On/ off
11.2	Switch temperature 1	5°C	0.0 °C / 10.0 °C
11.3	Switch temperature 2	25°C	15.0°C / 40.0 °C
11.4	Mode valve 10 volt control	Closed	Open / Closed
11.5	Valve control	Relay output 1	Relay output 1/Relay output 2/ Analogue output 1/Analogue output 2

12 Service

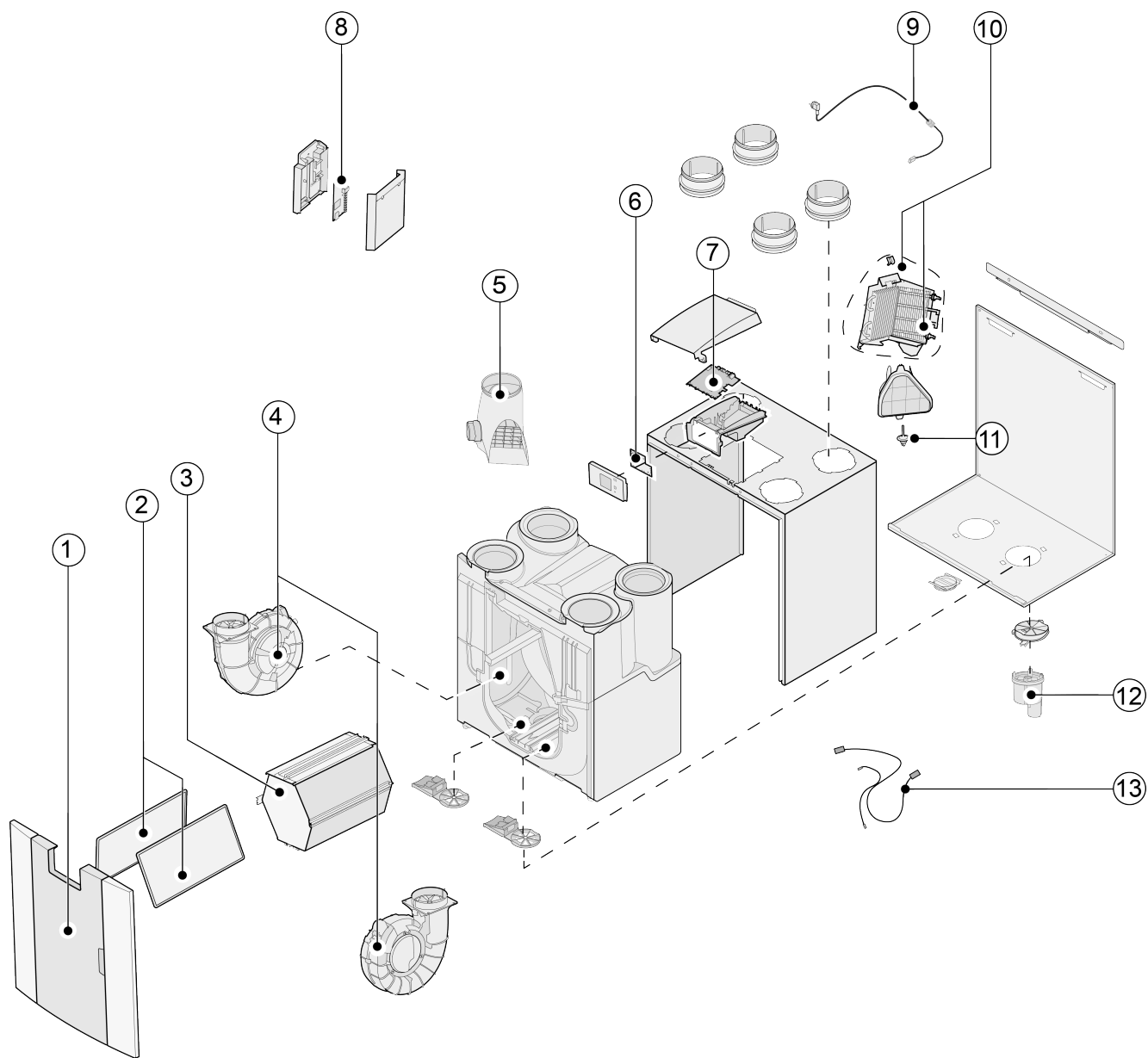
12.1 Exploded view

When ordering parts, in addition to the article code number (see exploded view), please state the heat recovery appliance type, the serial number, the year of production and the name of the part:

N.B.: Appliance type, serial number and year of production are stated on the identification plate behind the plastic front panel on the appliance.

Example	
Appliance type	Flair 225 (Plus)
Serial number	428000220201
Year of production	2023
Part	Fan
Article code	532803
Quantity	1

12.2 Service articles



No.	Article description	Article code
1	Front panel complete	532799
2	Filters (2 items) ISO Coarse 60%	532811
3	Heat exchanger	532795
4	Fan (1 item)	532803
5	Bypass valve with motor complete	532797
6	Display pcb UBP-2	532752
7	Appliances manufactured before 01-01-2023 : Basic pcb UWA2-B + display	532750
	Appliances manufactured after 01-01-2023 : Basic pcb UWA2-B	532966
8	Plus pcb UWA2-E (only applicable with Plus version)	532751
9	Mains plug and cable 230 V *	532756
10	Internal preheater incl. maximum security	532798
11	Temperature sensor NTC 10K	531775
12	Condensation discharge	532762
13	Cable set	532767

* The power cable is fitted with a circuit board connector. When replacing it, always order a replacement mains cable from Brink.

To prevent dangerous situations, a damaged mains connection can only be replaced by a qualified expert.

13 Setting values

13.1 Setting values standard appliance

Flair 225-appliance **without** (Plus) pcb.

Step No	Description	Factory settings	Setting range	Comment
1	Flow rate			
1.1	Air flow rate setting 0	40 m ³ /h	0 or adjustable between 40 m ³ /h and 225 m ³ /h (never higher than step no. 1.2)	
1.2	Air flow rate setting 1	50 m ³ /h	Adjustable between 40 m ³ /h and 225 m ³ /h (not higher than step no. 1.3 or lower than step no. 1.1)	
1.3	Air flow rate setting 2	100 m ³ /h	Adjustable between 40 m ³ /h and 225 m ³ /h (not higher than step no. 1.4 or lower than step no. 1.2)	
1.4	Air flow rate setting 3	150 m ³ /h	Adjustable between 40 m ³ /h and 225 m ³ /h (not lower than step no. 1.3)	
1.5	Imbalance permissible	Yes	Yes / No	
1.6	Imbalance (Open fireplace)	0%	0% / +20%	
1.7	Offset supply	0%	-15% / +15% fan setting	Value calculated back to set flow rate, see screen
1.8	Offset exhaust	0%	-15% / +15% fan setting	
1.19	Default fan setting	1	0 or 1	
2	Bypass			
2.1	Mode Bypass	Automatic	- Automatic - Bypass closed - Bypass open	
2.2	Bypass temperature "from dwelling"	24 °C	15 °C / 35 °C	
2.3	Bypass temperature "from outside"	10 °C	7 °C / 15 °C	
2.4	Bypass hysteresis	2 °C	0 °C / 5 °C	
2.5	Mode Bypass boost	Off	On / Off	
2.6	Fan setting selection Bypass boost	3	0 / 3	
3	Frost protection			
3.1	Frost temperature	0 °C	-1,5 °C / 1,5 °C	
3.2	Minimum intake temperature	10 °C	7 °C / 17 °C	
4	Filter message			
4.1	Number of days until filter message	90	1 / 365 days	
4.2	Start of filter wizard	No	Yes / No	

Step No	Description	Factory settings	Setting range	Comment
4.3	Filter reset	No	Yes / No	
5	External heater			
5.1	Preheater on and off	Off	On / Off	
5.2	Postheater on and off	Off	On / Off	
5.3	Temperature postheater	21 °C	15 °C / 30 °C	
6	CO₂ sensor			
6.1	Switching eBus CO ₂ sensor off and on	Off	On / Off	
6.2	Min. PPM eBus CO ₂ sensor 1	400 PPM	400 - 2000 PPM	
6.3	Max. PPM eBus CO ₂ sensor 1	1200 PPM		
6.4	Min. PPM eBus CO ₂ sensor 2	400 PPM		
6.5	Max. PPM eBus CO ₂ sensor 2	1200 PPM		
6.6	Min. PPM eBus CO ₂ sensor 3	400 PPM		
6.7	Max. PPM eBus CO ₂ sensor 3	1200 PPM		
6.8	Min. PPM eBus CO ₂ sensor 4	400 PPM		
6.9	Max. PPM eBus CO ₂ sensor 4	1200 PPM		
7	Humidity sensor			
7.1	Switching humidity sensor on and off	Off	On / Off	
7.2	Sensitivity of humidity sensor	0	+2 = most sensitive 0 = basic setting -2 = least sensitive	
8	Cascade			
8.1	Appliance setting	0 (Master)	0 / 9 (0=Master; 1 t/m 9 = Slave 1 t/m Slave 9)	
12	Central heating + heat recovery			
12.1	Status	Off	On / Off	
13	Network			
13.1	Set up WiFi network			
13.2	Sign up Brink Home			Enter password
13.3	IP address Default gateway Subnet Mask Primary DNS Secondary DNS Name Home Module Destination Server-IP Destination Server-port			

Step No	Description	Factory settings	Setting range	Comment
13.4	Advanced network settings			Change destination server IP and destination server port.
13.5	Reset network settings	Off	On / Off	Clear all settings and return to default settings.
14	Communication			
14.1	Type of Bus connection	ModBus	Off / ModBus/ Internal Bus	
14.2	Slave address	20	1 - 247	For Modbus
14.3	Baudrate	19k2	1200 / 2400 / 4800 / 9600 / 19k2 / 38k4 / 56k / 115k2	For Modbus
14.4	Parity	Even	No / Even / Odd	For Modbus
15	Appliance settings			
15.1	Language	English	English/ German/ French/ Dutch/ Lithuanian/ Danish/ Italian/ Polish/ Spanish/ Romanian/ Slovak/ Slovenian/ Estonian/ Norwegian/ Czech/ Hungarian/ Latvian	
15.2	Date format	dd-mm-yyyy	dd-mm-yyyy / mm-dd-yyyy	
15.3	Date			
15.4	Time format	24h	12h / 24h	
15.5	Time			
15.8	Display	No	Yes / No	Display half an hour active as multiple-position switch; when "yes" is selected touchscreen permanently set as multiple-position switch
15.9	Back to factory settings	No	Yes / No	
15.10	Fan position wizard	No	Yes / No	
16	Signal output			
16.1	Signal output	External contact 24V	Off / Only filter condition / Only fault condition / Filter and fault condition/ 24V	Connector X19
17	Standby			
17.1	Switch off appliance	No	Yes / No	

13.2 Setting values appliance with (Plus) pcb

Flair 225-appliance **with** (Plus) pcb.

Step No	Description	Factory settings	Setting range	Comment
9	Switch contacts			
9.1	Make or break contact 1	Make	Make / Break	
9.2	Switch contact control 1	Off	Off On Meets Bypass conditions Open bypass valve Open external valve	
9.3	Contact 1 Supply fan action	Fan off	Fan off Fan runs at absolute minimum Fan at setting 1 Fan at setting 2 Fan at setting 3 Fan at step 0 Fan according to multiple-position switch Fan runs at absolute maximum No supply fan control	
9.4	Contact 1 Exhaust fan action	Fan off	Fan off Fan runs at absolute minimum Fan at setting 1 Fan at setting 2 Fan at setting 3 Fan at step 0 Fan according to multiple-position switch Fan runs at absolute maximum No exhaust fan control	
9.5	Make or break contact 2	Make	Make / Break	
9.6	Switch contact control 2	Off	Off On Meets Bypass conditions Open bypass valve Open external valve	
9.7	Contact 2 Supply fan action	Fan off	Fan off Fan runs at absolute minimum Fan at setting 1 Fan at setting 2 Fan at setting 3 Fan at step 0 Fan according to multiple position switch Fan runs at absolute maximum No supply fan control	

Step No	Description	Factory settings	Setting range	Comment
9.8	Contact 2 Exhaust fan action	Fan off	Fan off Fan runs at absolute minimum Fan at setting 1 Fan at setting 2 Fan at setting 3 Fan at step 0 Fan according to multiple position switch Fan runs at absolute maximum No exhaust fan control	
10	0 - 10 V.			
10.1	Mode input 1	Off	On / Off	
10.2	Minimum voltage input 1	0V	0V / 10V	Connector X-12
10.3	Maximum voltage input 1	10V	0V / 10V	
10.4	Mode input 2	Off	On / Off	
10.5	Minimum voltage input 2	0V	0V / 10V	Connector X-13
10.6	Maximum voltage input 2	10V	0V / 10V	
11	Geo-heat exchanger			
11.1	Switching on and off	Off	On / Off	
11.2	Switch temperature 1	5 °C	0.0 °C / 10.0 °C	
11.3	Switch temperature 2	25 °C	15.0°C / 40.0 °C	
11.4	Mode valve 24 volt control	Closed	Open / Closed	
11.5	Valve control	Relay output 1	Relay output 1/ Relay output 2/ Analogue output 1/ Analogue output 2	

14 Conformity declaration

This declaration of conformity is issued under the sole responsibility of the manufacturer.

Manufacturer: **Brink Climate Systems B.V.**
Address: **Postbus 11**
 NL-7950 AA, Staphorst, The Netherlands
Product: **Flair 225**

The product described above complies with the following directives:

- ♦ 2014/35/EU (OJEU L 96/357; 29-03-2014)
- ♦ 2014/30/EU (OJEU L 96/79; 29-03-2014)
- ♦ 2009/125/EU (OJEU L 285/10; 31-10-2009)
- ♦ 2017/1369/EU (OJEU L 198/1; 28-07-2017)
- ♦ RoHS 2011/65/EU (OJEU L 174/88; 01-07-2011)

The product described above has been tested according to the following standards:

- ♦ EN IEC 55014-1: 2021
- ♦ EN IEC 55014-2: 2021
- ♦ EN IEC 61000-3-2: 2019 + A1:2021
- ♦ EN 61000-3-3: 2013 + A1:2019 + A2:2021
- ♦ EN 60335-1: 2012 + AC:2014 + A11:2014 + A13:2017 + A1:2019 +
 A2:2019 + A14:2019 + A15:2021
- ♦ EN 60335-2-40: 2003 + A11:2004 + A12:2005 +AC:2006 + A1:2006 +
 A2:2009 + AC:2010 + A13:2012
- ♦ EN 62233: 2008 + AC:2008

Staphorst, 07-06-2023



A. Hans
Director

15 ERP values

Technical information sheet Flair 225 in accordance with Ecodesign (ErP), no. 1254/2014 (Annex IV)					
Manufacturer:		Brink Climate Systems B.V.			
Model:		Flair 225			
Climate zone	Type of control	SEC Value in kWh/m ² /a	SEC Class	Annual electricity consumption (AEC) in kWh	Annual heating saved (AHS) in kWh
Average	manual	-40.78	A	258	4655
	clock control	-41.42	A	237	4667
	1x sensor (RV/CO ₂ /VOC)	-42.62	A+	199	4692
	2 or more sensors (RV/CO ₂ /VOC)	-44.71	A+	135	4741
Cold	manual	-79.92	A+	795	9107
	clock control	-80.68	A+	774	9131
	1x sensor (RV/CO ₂ /VOC)	-82.12	A+	736	9179
	2 or more sensors (RV/CO ₂ /VOC)	-84.68	A+	672	9275
Hot	manual	-15.73	E	213	2105
	clock control	-16.30	E	192	2111
	1x sensor (RV/CO ₂ /VOC)	-17.37	E	154	2122
	2 or more sensors (RV/CO ₂ /VOC)	-19.19	E	90	2144
Type of ventilation unit:		Balanced residential ventilation appliance with heat recovery			
Fan:		EC - fan with infinitely variable control			
Type of heat exchanger:		Recuperative plastic cross-counterflow heat exchanger			
Thermal efficiency		92 %			
Maximum flow rate:		225 m ³ /h			
Maximum rated power:		118 W			
Sound power level L _{wa} :		39 dB(A)			
Reference flow rate:		158 m ³ /h			
Reference pressure:		50 Pa			
Specific Power Input (SEL):		0.17 Wh/m ³			
Control factor:		1.0 in combination with multiple position switch			
		0.95 in combination with clock control			
		0.85 in combination with 1 sensor			
		0.65 in combination with 2 or more sensors			
Leakage*	Internal	0.70 %			
	External	1.80 %			
Position dirty filter indication:		On the display of the appliance / on the multiple position switch (LED) / on the Brink Air Control. Attention! For optimal energy efficiency and a proper operation, a regular filter inspection, cleaning or replacement is necessary.			
Internet address for Assembly instructions:		https://www.brinkclimatesystems.nl/support/downloads			
Bypass:		Yes, 100% Bypass			

* Measurements executed by TZWL according to the EN 13141-7 standard

Classification from 1 January 2016	
SEC class ("Average climate zone")	SEC in kWh/m ² /a
A+ (Most efficient)	SEC < -42
A	-42 ≤ SEC < -34
B	-34 ≤ SEC < -26
C	-26 ≤ SEC < -23
D	-23 ≤ SEC < -20
G (Least efficient)	-20 ≤ SEC < -10

16 Recycling

Recycling

Sustainable materials are used in the manufacture of this appliance. The packaging should be disposed of in a responsible manner and in accordance with governmental regulations.





Brink Climate Systems B.V.

Wethouder Wassebaliestraat 8, NL-7951SN Staphorst

T: +31 (0) 522 46 99 44

E. info@brinkclimatesystems.nl

www.brinkclimatesystems.nl